

  
HAMER



**2024**  
WWW.HAMER4X4.COM





**FRONT BUMPER  
SUPPORT FENDER**

# KING SERIES

- COMPATIBLE WITH FACTORY SENSORS AND SONARS.  
- FINISH IN MATTE BLACK POWDER COATED FOR DUARABILITY AND CORROSION RESISTANCE  
- WINCH COMPATIBLE UP TO 12000 LBS.

WITHOUT FENDER **AM106-NF-F22**  
**KING SERIES**  
 FRONT BULL BAR



LED FOG LIGHTS, INDICATORS & DAYTIME RUNNING LIGHTS

SUPPORT 20" AND 30" LED LIGHT BAR  
 WINCH COMPATIBLE UP TO 12,000 LBS

INTRODUCING OUR SIGNATURE SERIES ROAD BULL BAR, METICULOUSLY CRAFTED WITH THE FINEST QUALITY STEEL. THIS EXCEPTIONAL BULL BAR COMBINES STRENGTH, STYLE, AND FUNCTIONALITY, SETTING A NEW STANDARD IN ROAD PROTECTION. WITH ITS BUILT-IN LED DAYTIME RUNNING LIGHTS, INDICATORS, AND FOG LIGHTS, OUR SIGNATURE SERIES BULL BAR ENSURES OPTIMAL VISIBILITY AND SAFETY ON THE ROAD. PLUS, ITS WINCH COMPATIBILITY ALLOWS YOU TO TACKLE CHALLENGING TERRAINS WITH EASE. DESIGNED AND ENGINEERED TO MEET ADR (AUSTRALIAN DESIGN RULES) STANDARDS, OUR BULL BAR ENSURES BOTH SAFETY AND COMPLIANCE.



**FRONT BUMPER  
WITHOUT FENDER**

SUPPORT FENDER **AM106-F22**  
**KING SERIES**  
 FRONT BULL BAR



FURTHERMORE, THE HAMER BRAND PRIDES ITSELF ON DELIVERING PRODUCTS THAT NOT ONLY PERFORM EXCEPTIONALLY BUT ALSO EXUDE AN AIR OF CONFIDENCE AND STRENGTH. BY EQUIPPING YOUR VEHICLE WITH THE HAMER KING SERIES FRONT BULL BAR, YOU SHOWCASE YOUR COMMITMENT TO QUALITY AND DEMONSTRATE YOUR READINESS TO CONQUER ANY CHALLENGE THAT COMES YOUR WAY. WITH ITS COMMANDING PRESENCE AND UNWAVERING DURABILITY, THIS FRONT BUMPER BECOMES A STATEMENT OF POWER, PROJECTING AN IMAGE OF RESILIENCE AND CAPABILITY TO EVERYONE WHO CROSSES YOUR PATH.





FORD RANGER NEXT-GEN (2022+)

# KING

PLUS (PT)



## FEATURES

- COMPATIBLE WITH FACTORY SENSORS AND SONARS
- ADR CERTIFIED AIR BAG COMPLAINT
- MATTE BLACK POWDER COAT FINISH
- WINCH COMPATIBLE UP TO 12000 LBS

FORD RANGER NEXT-GEN (2022+)

# KING

PLUS (PS)





FRONT BULL BAR AM111-F22

# ATLAS SERIES

FOR FORD NEXT-GEN RANGER 2022+

- INTEGRATED LED FOG LIGHTS AND LED SEQUENTIAL TURN SIGNAL INDICATORS
- WINCH COMPATIBLE SIZE UP TO 12000 LBS.
- ADR CERTIFIED AIR BAG COMPLAINT
- SUPPORT ALL FACTORY FUNCTIONS
- AERIAL MOUNTS



AVAILABLE IN ALUMINIUM

**FIND**  
YOUR WAY





FOR FORD RANGER NEXT-GEN 2022

# ATLAS PLUS

SERIES BULL BAR



INTRODUCING OUR GROUNDBREAKING NEWEST OFF-ROAD BULL BAR, REDEFINING THE CONCEPT OF FUNCTIONALITY AND DESIGN IN ONE REMARKABLE PACKAGE. WITH ITS UNIQUE DESIGN FEATURING INTEGRATED DAYTIME RUNNING LIGHTS AND SEQUENTIAL INDICATOR, THIS BUMPER DOESN'T ONLY OFFERS EXCEPTIONAL PERFORMANCE BUT ALSO ADDS A TOUCH OF ELEGANCE TO YOUR OFF-ROAD VEHICLE.

AM111-PT-F22

# FUNCTION

FOR ATLAS SERIES PLUS BULL BAR





NEXT GEN 2022+  
**FORD RANGER**  
NOVA SERIES PLUS REAR BUMPER



REVERSE LIGHTS  
FOR SAFETY

REDESIGNED TO INCREASE  
PROTECTION.



**UNDER  
PROTECTION PLATES**



LIGHT ILLUMINATED  
WHEN OPENING AND CLOSING THE DOORS.

ANTI-SLIP POINT DESIGN  
FOR CONFIDENT ASCENT.

**SHADOW SERIES  
SIDE STEPS**



FOR FORD RANGER NEXT-GEN 2022+

# M-SERIES

## REAR BUMPER



- INTERGRATED LED REVERSE LIGHT AND TURN SIGNAL INDICATORS
- HI-LIFT JACK POINT
- HAMER STAINLESS LOGO
- RATED 3.5 TONNES TOWING CAPACITY
- MATTE BLACK POWDER COAT FINISH
- MADE FROM HIGH-QUALITY 3MM. STEEL PLATE



MX204-F22

# NOVA SERIES

## REAR BUMPER

IF YOU ARE LOOKING FOR A REAR BUMPER THAT CAN HANDLE ANY CHALLENGE, LOOK NO FURTHER THAN THE NOVA SERIES REAR BUMPER FROM **HAMER**. THIS BUMPER FEATURES A POWERFUL 18-WATT LIGHT THAT HELPS YOU REVERSE SAFELY IN THE DARK, AND A STURDY MOUNTING POINT THAT LETS YOU ATTACH A TOWING KIT FOR YOUR BOAT TRAILER. THE NOVA SERIES IS ALSO COMPATIBLE WITH THE HI LIFT JACK, A HIGH-QUALITY STEEL DEVICE THAT CAN LIFT YOUR VEHICLE IN CASE OF A FLAT TIRE OR OTHER EMERGENCY. WITH THE NOVA SERIES REAR BUMPER FROM HAMER, YOU CAN ENJOY THE BEST OF BOTH WORLDS: STYLE AND FUNCTIONALITY.



SUPPORT  
HI-LIFT JACK POINT

# REAR BUMPER NOVA SERIES

FOR FORD RANGER NEXT-GEN 2022



REVERSE LIGHT  
FOR SAFETY

SUPPORT  
TOW BALL



FOR FORD NEXT-GEN RANGER RAPTOR 2022+ **AM111-FR22**

# ATLAS SERIES

**FRONT BULL BAR** AVAILABLE IN ALUMINIUM

- INTEGRATED LED FOG LIGHTS, LED SEQUENTIAL INDICATORS
- COMPATIBLE WITH FACTORY SENSORS AND SONARS
- ADR CERTIFIED AIR BAG COMPLIANT
- SUPPORT ALL FACTORY FUNCTIONS
- AERIAL MOUNTS

# BORN





AM111-PT-FR22 SERIES BULL BAR

# ATLAS PLUS

FOR FORD RANGER RAPTOR NEXT-GEN 2022-PRESENT



CAMERA RELOCATION

## THE ATLAS SERIES PLUS BULL BAR

FEATURING THE ADDITION OF A TRIPLE LOOP DESIGN, THIS ATLAS PLUS SERIES NOT ONLY PROVIDES ENHANCED PROTECTION TO YOUR VEHICLE BUT ALSO UNLEASHES A WORLD OF ACCESSORY POSSIBILITIES.

THE TRIPLE LOOP DESIGN ADDS AN EXTRA LAYER OF DEFENSE TO YOUR VEHICLES, SAFEGUARDING IT AGAINST IMPACTS AND OBSTACLES ENCOUNTERED ON RUGGED TRAILS

BEYOND ITS PROTECTIVE FUNCTION, THE TRIPLE LOOP ALSO SERVES AS A VERSATILE MOUNTING POINT FOR AN ARRAY OF ACCESSORIES. EASILY ATTACH ANTENNAS FLAG, PLOES, AND ADDITIONAL LIGHTS TO ENHANCE YOUR OFF-ROAD CAPABILITIES AND PERSONALIZE YOUR ADVENTURE SETUP

AM112-FR22 FOR FORD RANGER RAPTOR 2022+

# GUARDIAN SERIES BULL BAR



SUPPORT LED LIGHT BAR 30"

LED SPOT LIGHTS 16 W + POSITION LIGHTS

AVAILABLE IN ALUMINIUM



AM113-FR22 FOR FORD RANGER RAPTOR 2022+

# THOR SERIES BULL BAR



SUPPORT LED LIGHT BAR 30" AND SPOT LIGHTS 16W + POSITION LIGHTS





HEART OF  
STRENGTH

REAR BUMPER **MX204-FR22**

# NOVA SERIES

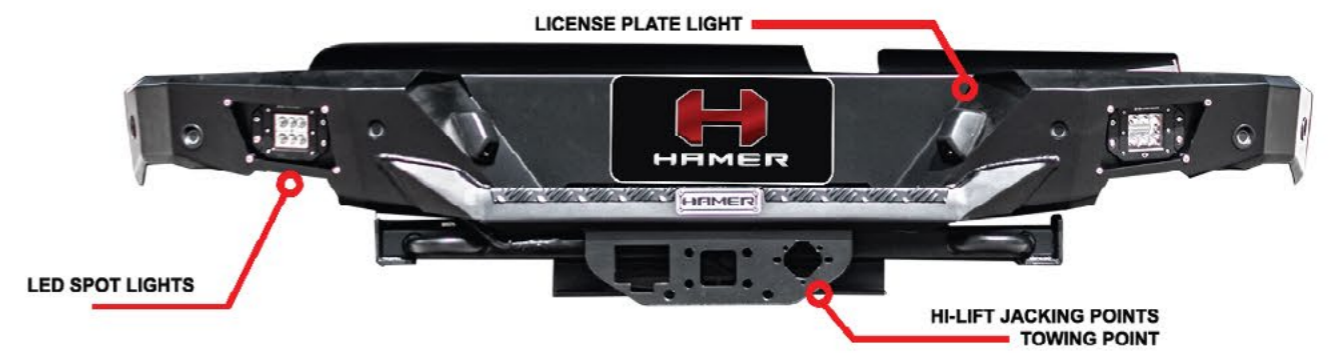
FOR FORD NEXT-GEN RANGER RAPTOR 2022+

## HAMER **INNOVATION**

ANOTHER LEVEL OF



WHAT ARE THE  
FUNCTIONS ?





MORE PROTECTION  
**ADVENTURE**  
IS CALLING



## UNDER VEHICLE PROTECTION PLATES

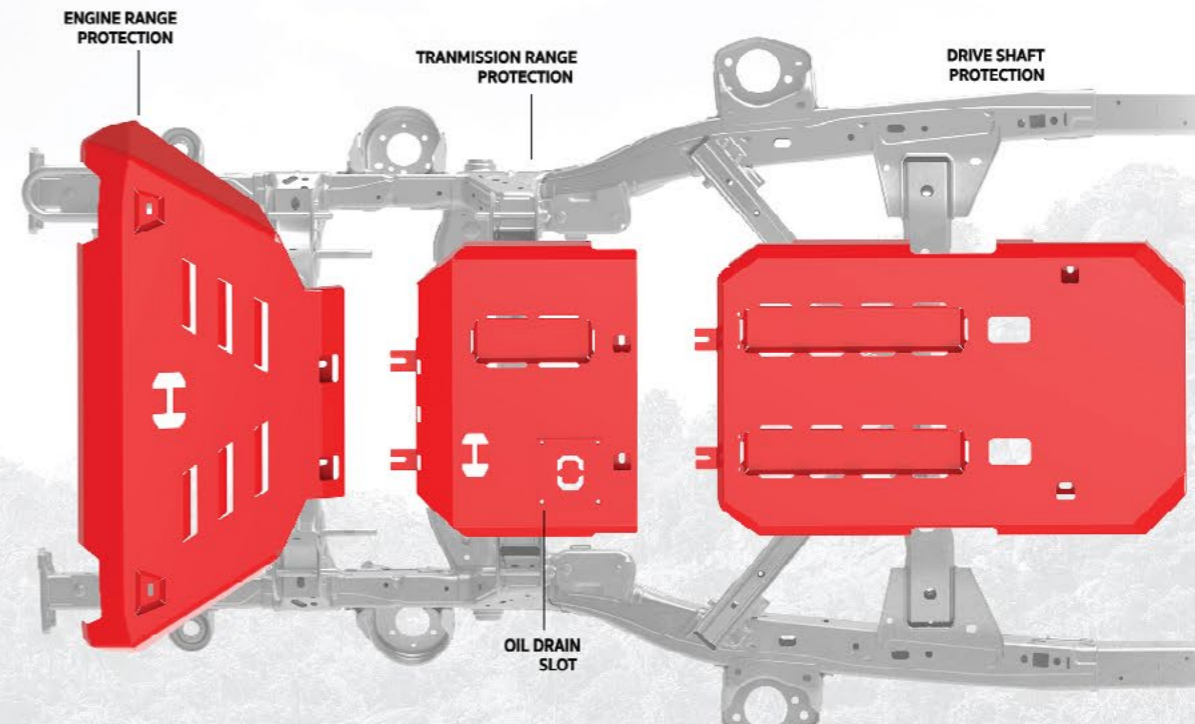
**H-001-F22** FOR FORD RANGER NEXT-GEN 2022+



WITH OUR PRECISION-ENGINEERED BASH PLATES, YOU CAN NAVIGATE OFF-ROAD TERRAIN WITH CONFIDENCE, KNOWING THAT YOUR VEHICLE'S IMPORTANT SYSTEMS ARE SHIELDED FROM IMPACT AND DAMAGE.

## UNDER VEHICLE PROTECTION PLATES

**H-001-FR22** FOR FORD RANGER RAPTOR NEXT-GEN 2022+



FORTIFY YOUR OFF-ROAD MACHINE WITH AN IMPENETRABLE SHIELD - OUR BASH PLATE CRAFTED FROM 3MM OF UNCOMPROMISING STEEL, DELIVERING UNPARALLELED PROTECTION ON YOUR PATH TO ADVENTURE.



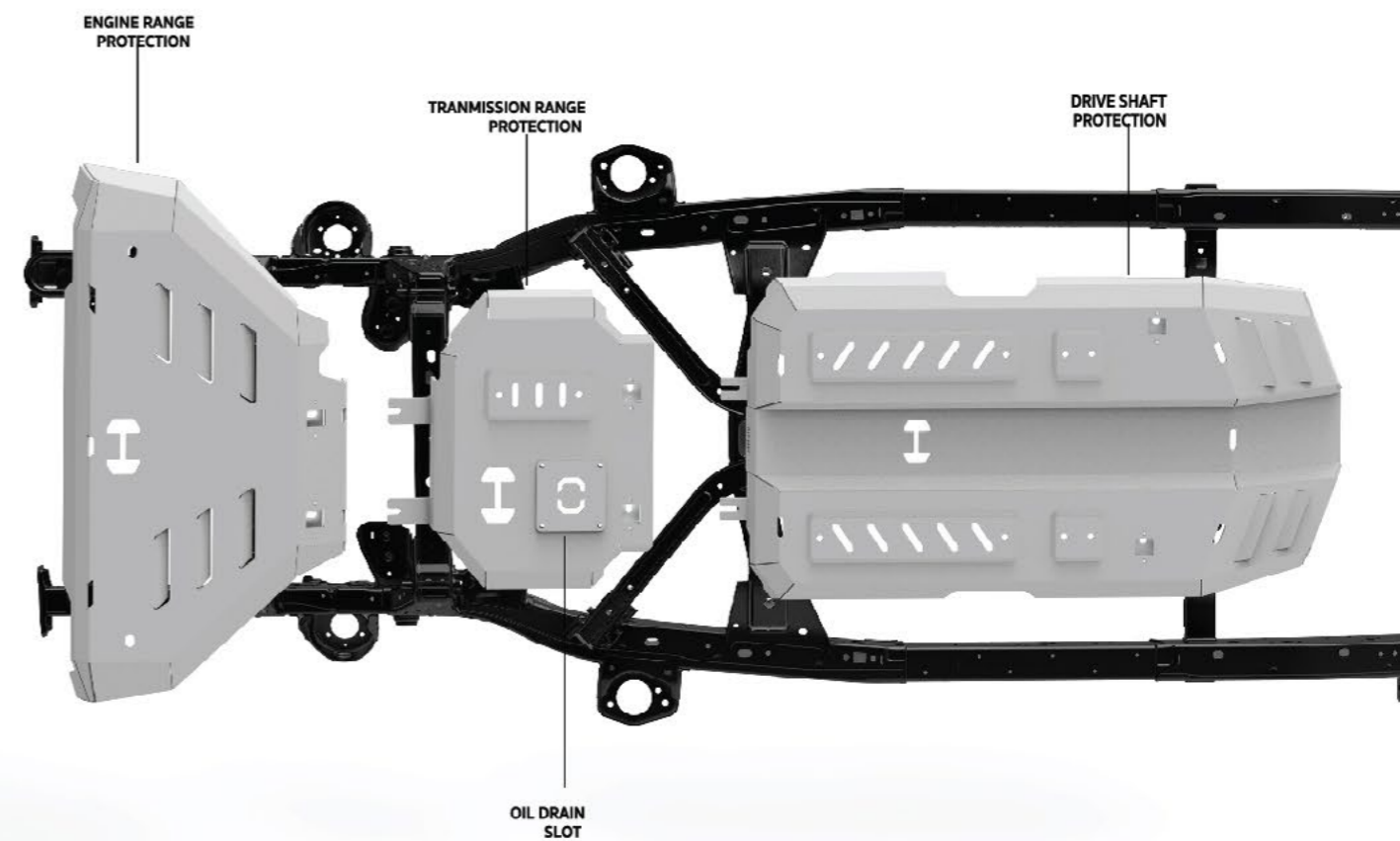
# HAMER ULTIMATE PROTECTIONS



# ALUMINIUM UNDER VEHICLE PROTECTION PLATES

H-001-FR22A

FOR FORD RANGER RAPTOR NEXT-GEN 2022+



INTRODUCING HAMER ALUMINUM SKID PLATE MADE OF 6MM HIGH GRADE ALUMINUM. DESIGNED AND ENGINEERED TO PROVIDE PROTECTIVE BARRIER FOR VITAL COMPONENTS LOCATED UNDERNEATH THE VEHICLE. HAMER SKID PLATE WILL OFFER OPTIMAL PROTECTION WHILE BEING LIGHTWEIGHT, INCREASING AGILITY AND DURABILITY



FOR FORD RANGER 2016-2020  
**KING**  
SERIES BULL BAR



ALUMINIUM  
**ATLAS**  
SERIES FRONT BULL BAR



MADE OF HIGH QUALITY  
ALUMINIUM PLATE



LED FOG LIGHTS,  
LED SEQUENTIAL SIGNAL LIGHTS



# M-SERIES REAR BUMPER RANGER RAPTOR

2018-2021 MX202-FR18



# M-SERIES REAR BUMPER FORD RANGER

2018-2021 MX202-F12



NEXT-GEN 2022  
**EVEREST**



KING SERIES BULL BAR



AM111-EV22 SERIES FRONT BULL BAR  
**ATLAS**  
FOR FORD NEXT-GEN EVEREST 2022.



**RAPTOR F150**  
**KING SERIES**

2017-2021 AM106-F518



KING SERIES BULL BAR  
FOR TOYOTA TUNDRA **2019** AM106-TD19





**BULL BAR** AM111-EV22  
**ATLAS SERIES**  
 FOR FORD **EVEREST**  
 NEXT-GEN

THE WAY TO OFFROAD  
**PROTECTION MODE**



FOR EVEREST NEXT GEN 2022+  
**CROWN**  
 SERIES REAR BAR MX203-EV22



FOR EVEREST NEXT GEN 2022+  
**ARMY**  
 SERIES REAR BAR MX207-EV22



*Hammer*

FOR NEXT-GEN FORD EVEREST

# FLAT BACK

HR161-EV22



MORE  
SPACE



- LOW PROFILE AND LIGHT WEIGHT DESIGN
- MADE FROM HIGH QUALITY EXTRUDED ALUMINIUM
- PROVIDE PERSONALISATION AND FLEXILITY FOR YOUR EXTRA STORAGE
- MOUNTING CHANNELS ARE AVAILABLE ON BOTH BEAMS AND SIDE RAILS
- WIND DEFLECTOR ARE INCLUDED

MAXIMUM LOAD 60 KG.



MADE FROM HIGH QUALITY 3 MM.  
ALUMINIUM

WIND DEFLECTORS







**TOYOTA**

*Move Your Identity*



FOR TOYOTA HILUX VIGO CHAMP 2012-2014 AM106-VG12

# KING SERIES BULL BAR



AM111-RC20 FOR TOYOTA REVO / REVO ROCCO 2021+

# ATLAS SERIES BULL BAR



KING SERIES BULL BAR FOR TOYOTA HILUX TIGER



S-SERIES REAR BUMPER





TOYOTA 2020+

# REVO ROCCO

AM106-PT-RC20

TOYOTA 2020+

# REVO

AM106-RC20



**CYCLONE**  
NUDGE BAR



**STORM**  
NUDGE BAR



**KING SERIES**  
BULL BAR



**KING SERIES PLUS TUBE**  
BULL BAR



**ATLAS SERIES**  
BULL BAR





# NOVA SERIES REAR BUMPER

FOR TOYOTA REVO ROCCO 2022+ MX204-RC20

# FOR TOYOTA REVO / REVO ROCCO 2021+ NOVA SERIES REAR BUMPER



SUPPORT ALL FACTORY SENSORS & SONAR



DESIGN TO FIT YOUR CAR

SUPPORT ALL FACTORY FUNCTION



AM106-LE-TF20

# KING SERIES BULL BAR

/ FOR FORTUNER LEGENDER (21+)

THIS KING SERIES BULL BAR IS DESIGNED TO INTEGRATE SEAMLESSLY WITH YOUR TOYOTA LEGENDER, PROVIDING A PERFECT FIT AND FINISH. PACKED WITH ENGINEERED FUNCTIONS LIKE LED DAY TIME RUNNING LIGHT, INDICATORS, THIS BULL BAR DESIGNED TO ENHANCE BOTH THE LOOK AND PERFORMANCE OF YOUR LEGENDER.



THE NEW  
EXPERIENCE





**PLUS BULL BAR** AM106-TF20  
**KING SERIES**

FOR TOYOTA FORTUNER 2021+



KING SERIES BULL BAR



**BULL BAR** AM106-TF20

**KING SERIES**

FOR TOYOTA FORTUNER 2021+



SERIES REAR BUMPER

# CROWN

MX203-TF12



TOYOTA FORTUNER 2012-2019 |

SERIES REAR BUMPER

# ARMY

MX207-TF12



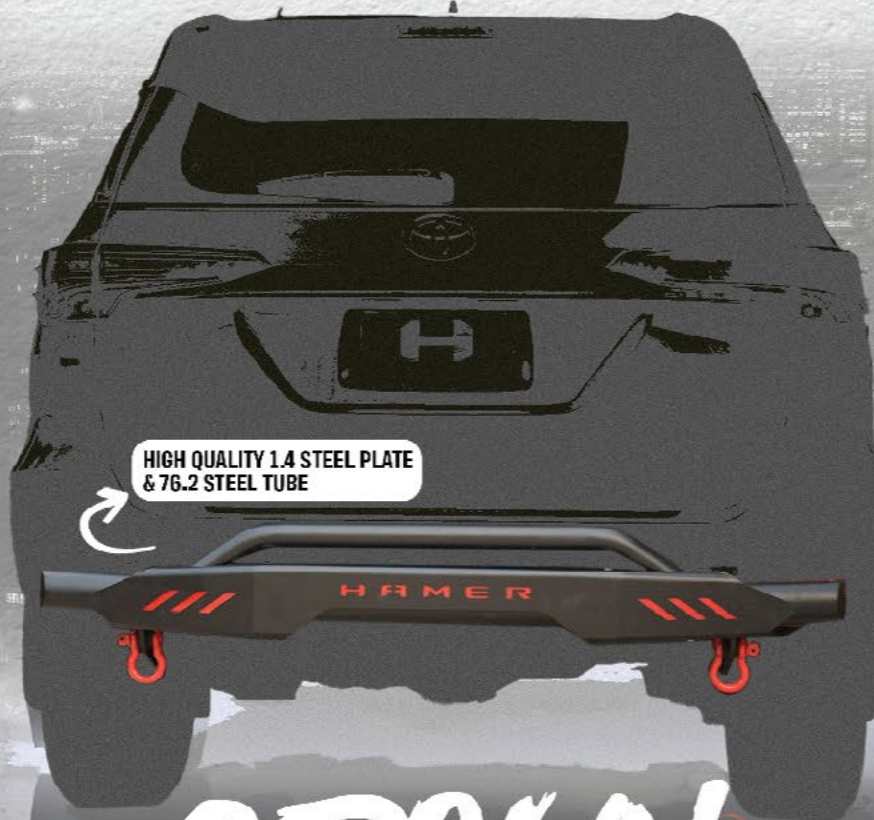
TOYOTA FORTUNER 2012-2019

## PROTECTION LEGEND

*of strength*

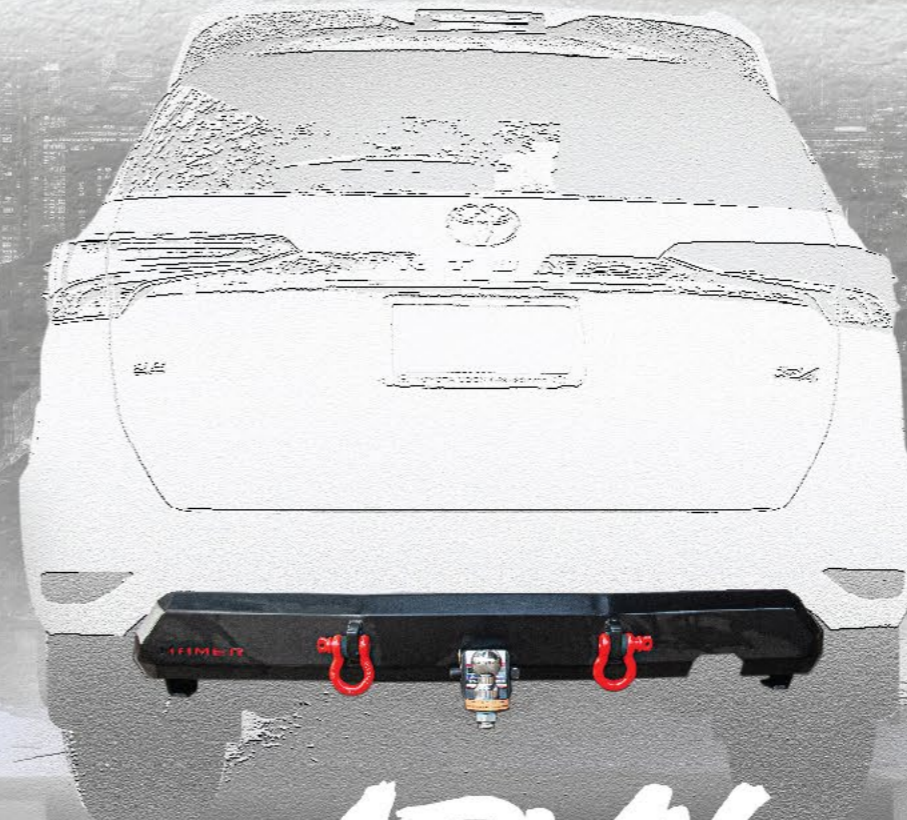


TOYOTA FORTUNER 2012-2014



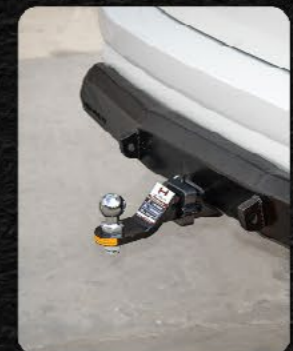
# CROWN

SERIES REAR BUMPER



# ARMY

SERIES REAR BUMPER



SUPPORT TOW BALL



HAMER SIGNATURE LOGO

# FUNCTION

FOR TOYOTA FORTUNER 2012-2019



**Built**  
Tough.  
**Built** Safe.



HAMER4X4 AVAILABLE ON  
TOYOTA LAND CRUISER PRADO SERIES



FOR TOYOTA LAND CRUISER PRADO 150  
**KING SERIES**



AM106-PD10  
TOYOTA LAND CRUISER PRADO 150 (2010-2013)



AM106-PD14  
TOYOTA LAND CRUISER PRADO 150 (2014-2017)



AM106-PD18  
TOYOTA LAND CRUISER PRADO 150 (2018-PRESENT)

FOR TOYOTA LAND CRUISER PRADO 150  
**KING PLUS**



AM106-PT-PD10  
FOR TOYOTA LAND CRUISER PRADO 150  
(2010-2013)



AM106-PT-PD14  
FOR TOYOTA LAND CRUISER PRADO 150  
(2014-2017)



AM106-PT-PD18  
FOR TOYOTA LAND CRUISER PRADO 150  
(2018 - PRESENT)





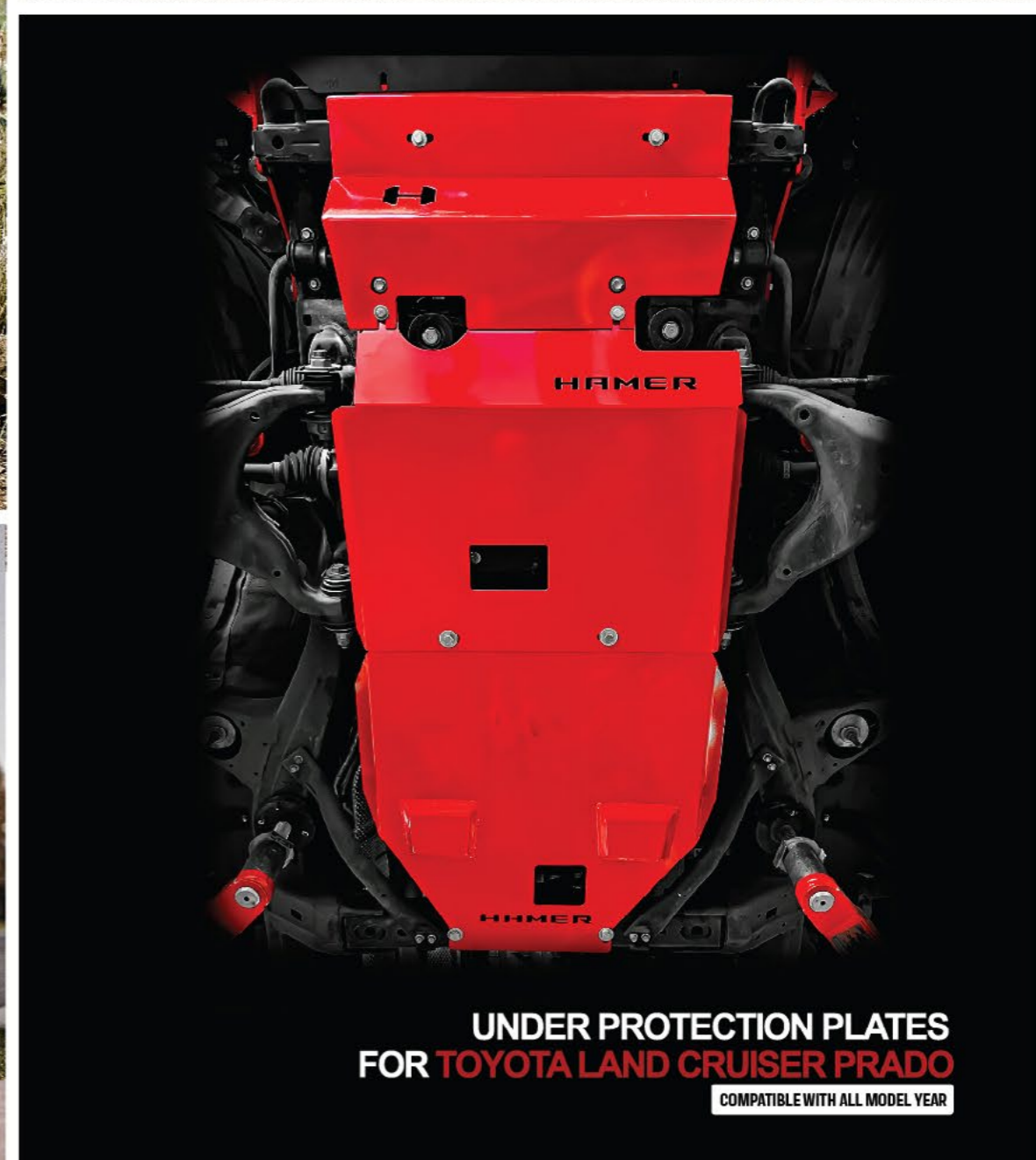
AM106-PT-PD18

**KING SERIES PLUS**  
BULL BAR



AM106-PD18

**KING SERIES**  
BULL BAR



**UNDER PROTECTION PLATES**  
FOR TOYOTA LAND CRUISER PRADO

COMPATIBLE WITH ALL MODEL YEAR



# LAND CRUISER LC79

4X4 ACCESSORIES







IGNITE  
YOUR SPIRIT.

**KING SERIES**  
AVAILABLE FOR LAND CRUISER LC79





AM106-L712

# KING SERIES BULL BAR

INTRODUCING OUR SIGNATURE SERIES ROAD BULL BAR, METICULOUSLY CRAFTED WITH THE FINEST QUALITY STEEL. THIS EXCEPTIONAL BULL BAR COMBINES STRENGTH, STYLE AND FUNCTIONALITY, SETTING A NEW STANDARD IN ROAD PROTECTION. WITH ITS BUILT-IN LED DAYTIME RUNNING LIGHTS, INDICATORS, AND FOG LIGHTS OUR SIGNATURE SERIES BULL BAR ENSURES OPTIMAL VISIBILITY AND SAFETY ON THE ROAD. PLUS, ITS WINCH COMPATIBILITY ALLOWS YOU TO TACKLE CHALLENGING TERRAINS WITH EASE. DESIGNED AND ENGINEERED TO MEET ADR (AUSTRALIAN DESIGN RULES) STANDARDS OUR BULL BAR ENSURES BOTH SAFETY AND COMPLIANCE.



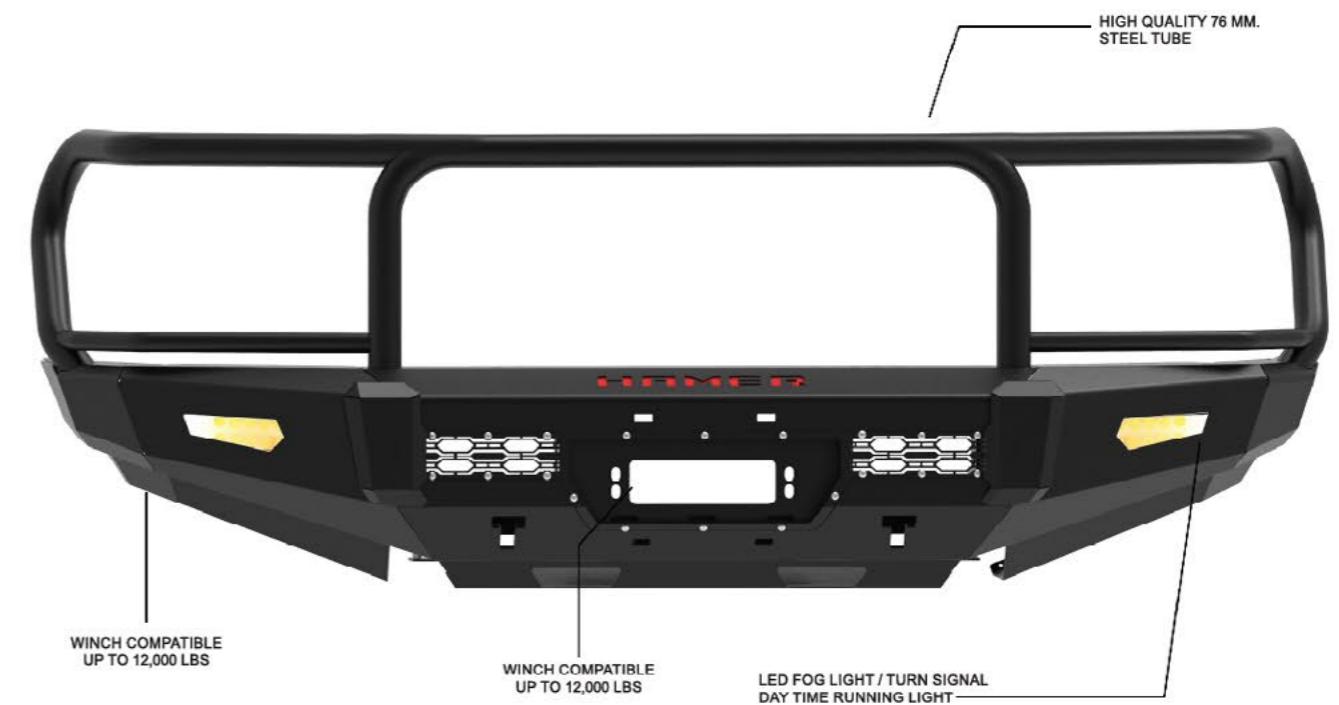




AM114-PT-L712

# CLASSIC SERIES PLUS TUBE BULL BAR

INTRODUCING THE NEW CLASSIC SERIES OFF-ROAD BULL BAR FOR THE LC79: ELEVATING THE AUTHENTICITY AND NOSTALGIA OF THIS ICONIC VEHICLE. DESIGNED TO AMPLIFY THE TIMELESS CLASSIC DESIGN, THIS BULL BAR EMBODIES THE PERFECT BALANCE OF STYLE AND FUNCTIONALITY. ENGINEERED WITH A TRIPLE LOOP DESIGN, IT NOT ONLY ENHANCES THE LC79'S APPEARANCE BUT ALSO PROVIDES OPTIMAL PROTECTION FOR YOUR VEHICLE.



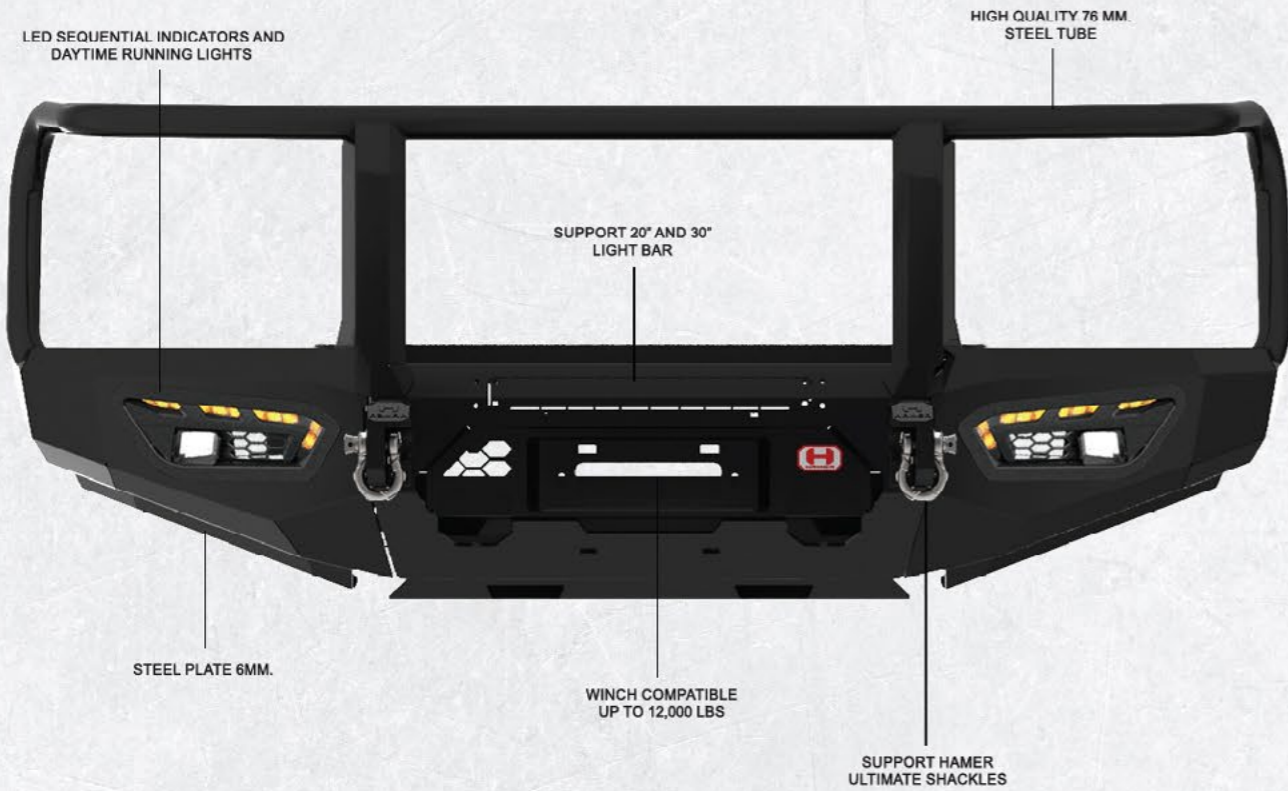
THE FUNCTIONALITY DOESN'T STOP THERE. THIS BULL BAR IS EQUIPPED WITH INTEGRATED FOG LIGHTS AND INDICATOR SENSURING ENHANCED VISIBILITY IN ADVERSE WEATHER CONDITIONS. WHETHER YOU'RE NAVIGATING THROUGH THICK FOG OR SIGNALING YOUR PRESENCE ON THE ROAD, THESE LIGHTS ARE DESIGNED TO KEEP YOU SAFE AND VISIBLE. IN ADDITION, THIS BULL BAR IS WINCH COMPATIBLE ENABLING YOU TO TACKLE THE MOST DEMANDING OFF-ROAD SITUATIONS WITH EASE. ITS RUGGED CONSTRUCTION AND REINFORCED MOUNTING POINTS MAKE IT A PERFECT COMPANION FOR RECOVERY OPERATIONS, PROVIDING THE NECESSARY SUPPORT AND STABILITY WHEN YOU NEED IT MOST.



AM111-L712

# ATLAS SERIES BULL BAR

CRAFTED WITH METICULOUS ATTENTION TO DETAIL, THIS BULL BAR EMBRACES THE LC79'S RUGGED HERITAGE WHILE INFUSING IT WITH MODERN FEATURES. INTEGRATING OUR UNIQUE PATENTED LED DRL, SEQUENTIAL INDICATORS AND FOG LIGHT, IT SURE TO IMPROVE VEHICLE'S AESTHETIC AND FUNCTIONALITY.



THE TRIPLE LOOP DESIGN ADDS A DISTINCTIVE TOUCH CAPTURING THE ESSENCE OF ADVENTURE AND RUGGEDNESS THAT THE LC79 REPRESENTS.





DEFINE YOUR  
LEGACY...





**MX209-L712**

# HAMER REAR BAR

UPGRADE YOUR OFF-ROAD VEHICLE WITH OUR OFF-ROAD REAR BUMPER, WHERE DURABILITY, COMPLIANCE AND FUNCTIONALITY COME TOGETHER. EXPERIENCE PEACE OF MIND KNOWING THAT YOUR VEHICLE IS PROTECTED EQUIPPED WITH INTEGRATED LIGHTING, AND READY FOR TOWING WHEN NEEDED. EMBRACE THE OFF-ROAD LIFESTYLE WITH CONFIDENCE AND STYLE.





SM103-L712

# HAMER SIDE STEP & SIDE RAIL

STEP UP YOUR ADVENTURES WITH STYLE AND FUNCTIONALITY.



3MM. ANTI SLIP  
CHEQUER PLATE

STEEL PIPE 3MM.



SM108-L712

# CHALLENGER ROCK SLIDER

HAMER CHALLENGER ROCK SLIDER OFFER PROTECTION FOR THE VEHICLE'S SIDES AND UNDERCARRIAGE FROM POTENTIAL DAMAGE CAUSED BY ROCKS DEBRIS OR OTHER OBSTACLES ENCOUNTERED DURING OFF ROAD EXCURSIONS. DESIGNED AND ENGINEERED TO BE MOUNTED DIRECTLY TO CHASSIS ALLOW FOR OPTIMAL PERFORMANCE IN ANY CHALLENGING TERRAIN



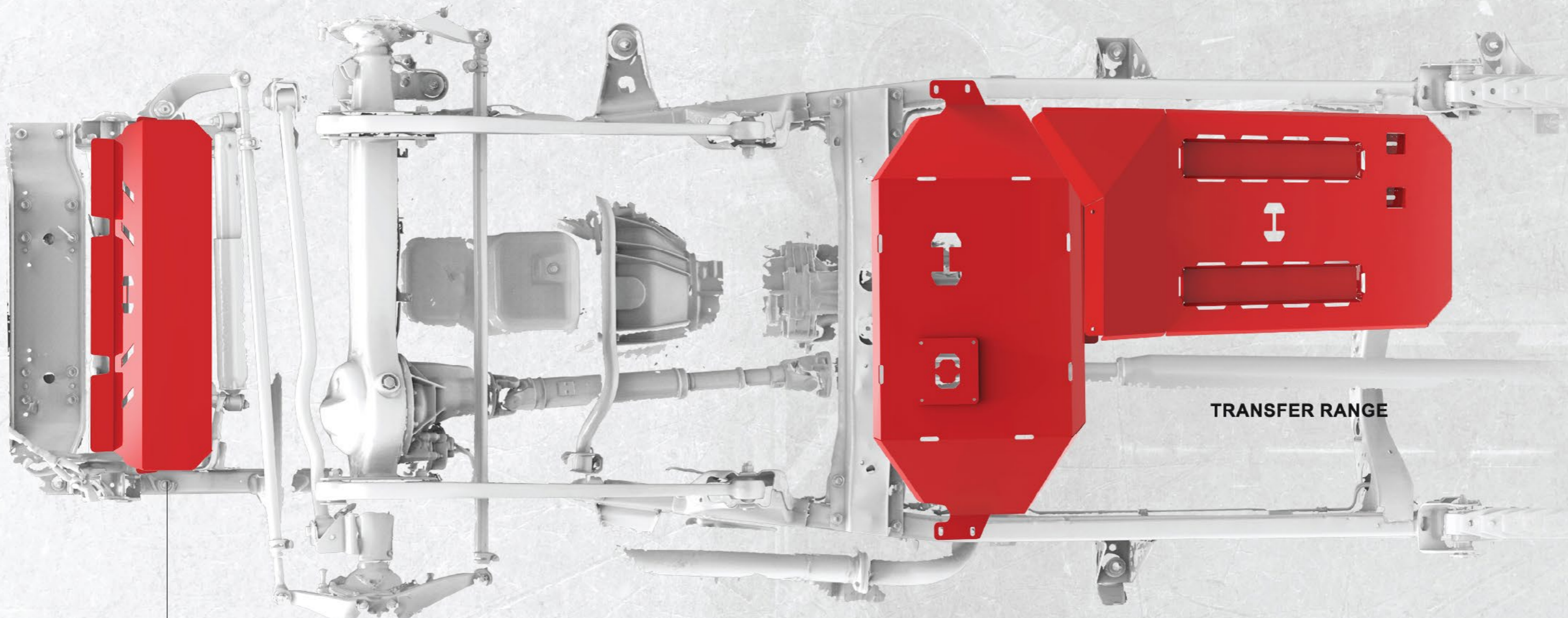
- PROVIDE ADDITIONAL PROTECTION AGAINST ROCKS, BRUSH, AND OTHER OBSTACLES ENCOUNTERED DURING OFF-ROAD EXPLORATIONS.



H001-L712

# UNDER VEHICLE PROTECTION PLATES

MAXIMUM PROTECTION FOR YOUR OFF-ROAD ADVENTURES. DESIGNED TO SAFEGUARD YOUR ENGINE, TRANSMISSION, DRIVE SHAFT, AND MORE OUR PLATES OFFERS FULL COVERAGE FOR VITAL COMPONENTS



RADIATOR RANGE

TRANSFER RANGE

AVAILABLE FOR LAND CRUISER LC79



HR161-L712

# HAMER FLAT RACK

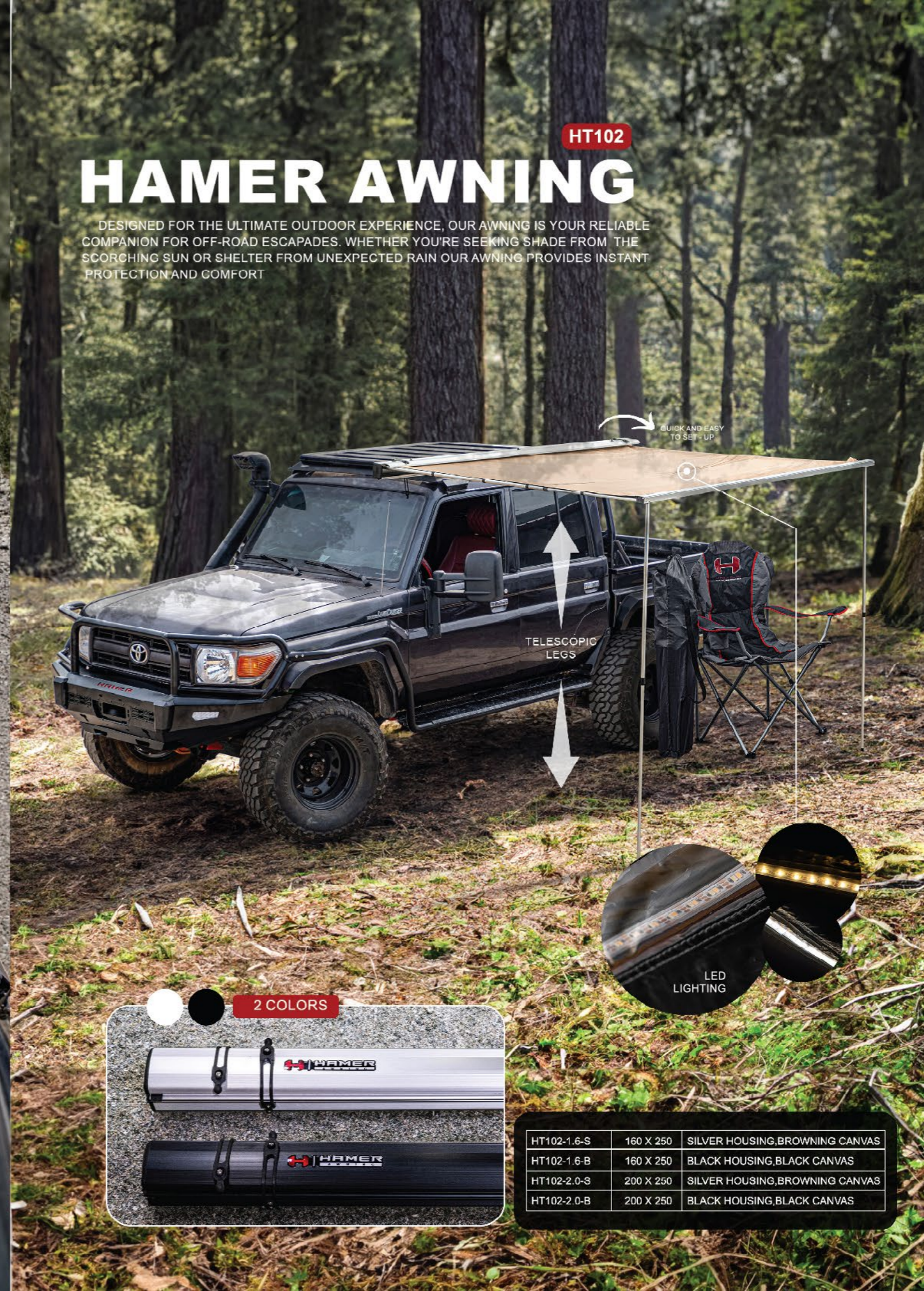
- LOW PROFILE AND LIGHT WEIGHT DESIGN
- MADE FROM HIGH QUALITY EXTRUDED ALUMINIUM
- PROVIDE PERSONALISATION AND FLEXIBILITY FOR YOUR EXTRA STORAGE
- MOUNTING CHANNELS ARE AVAILABLE ON BOTH BEAMS AND SIDE RAILS
- WIND DEFLECTOR ARE INCLUDED



HT102

# HAMER AWNING

DESIGNED FOR THE ULTIMATE OUTDOOR EXPERIENCE, OUR AWNING IS YOUR RELIABLE COMPANION FOR OFF-ROAD ESCAPADES. WHETHER YOU'RE SEEKING SHADE FROM THE SCORCHING SUN OR SHELTER FROM UNEXPECTED RAIN OUR AWNING PROVIDES INSTANT PROTECTION AND COMFORT



QUICK AND EASY TO SET-UP

TELESCOPIC LEGS

LED LIGHTING



HT102-1.6-S	160 X 250	SILVER HOUSING, BROWNING CANVAS
HT102-1.6-B	160 X 250	BLACK HOUSING, BLACK CANVAS
HT102-2.0-S	200 X 250	SILVER HOUSING, BROWNING CANVAS
HT102-2.0-B	200 X 250	BLACK HOUSING, BLACK CANVAS





# LAND CRUISER 100 SERIES

## 4X4 ACCESSORIES

ELEVATE YOUR OFF-ROAD EXPERIENCE WITH OUR RANGE OF ACCESSORIES DESIGNED AND ENGINEERED SPECIFICALLY FOR YOUR LC100. FROM OUR RUGGED KING SERIES BULL BAR TO OUR RELIABLE REAR BAR, OUR ACCESSORIES ARE BUILT TO ENHANCE THE FUNCTIONALITY, DURABILITY, AND STYLE OF YOUR VEHICLE. GET READY TO CREATE UNFORGETTABLE MEMORIES WITH YOUR TRUSTY COMPANION ON ALL YOUR OFF-ROAD ADVENTURES





AM106-L102

**KING SERIES  
BULL BAR**



AM106-PT-L102

**KING SERIES PLUS  
BULL BAR**



MX209-L102

**HAMER REAR BAR**



# LAND CRUISER 200 SERIES

2010-2015 / 2016-2021

**4X4 ACCESSORIES**





# KING OF OFFROAD

VX200 (2010-2015) SERIES



**BULL BAR KING SERIES**  
TOYOTA LAND CRUISER VX200 (2010-2015)



**PLUS BULL BAR KING SERIES**  
TOYOTA LAND CRUISER VX200 (2010-2015)

**BULL BAR ATLAS SERIES**  
TOYOTA LAND CRUISER VX200 (2010-2015)



**FRONT BUMPER**  
FOR TOYOTA LAND CRUISER VX200

**FIND YOUR WAY**



**BULL BAR KING SERIES**  
TOYOTA LAND CRUISER VX200 (2016-2020)



H001-L2

# UNDER VEHICLE PROTECTION PLATES



“ THE PROTECTIVE BASH PLATE IS UNIQUELY DESIGNED WITH 3MM. THICKNESS TO PROTECT YOUR VEHICLE WITH CONFIDENCE. ”

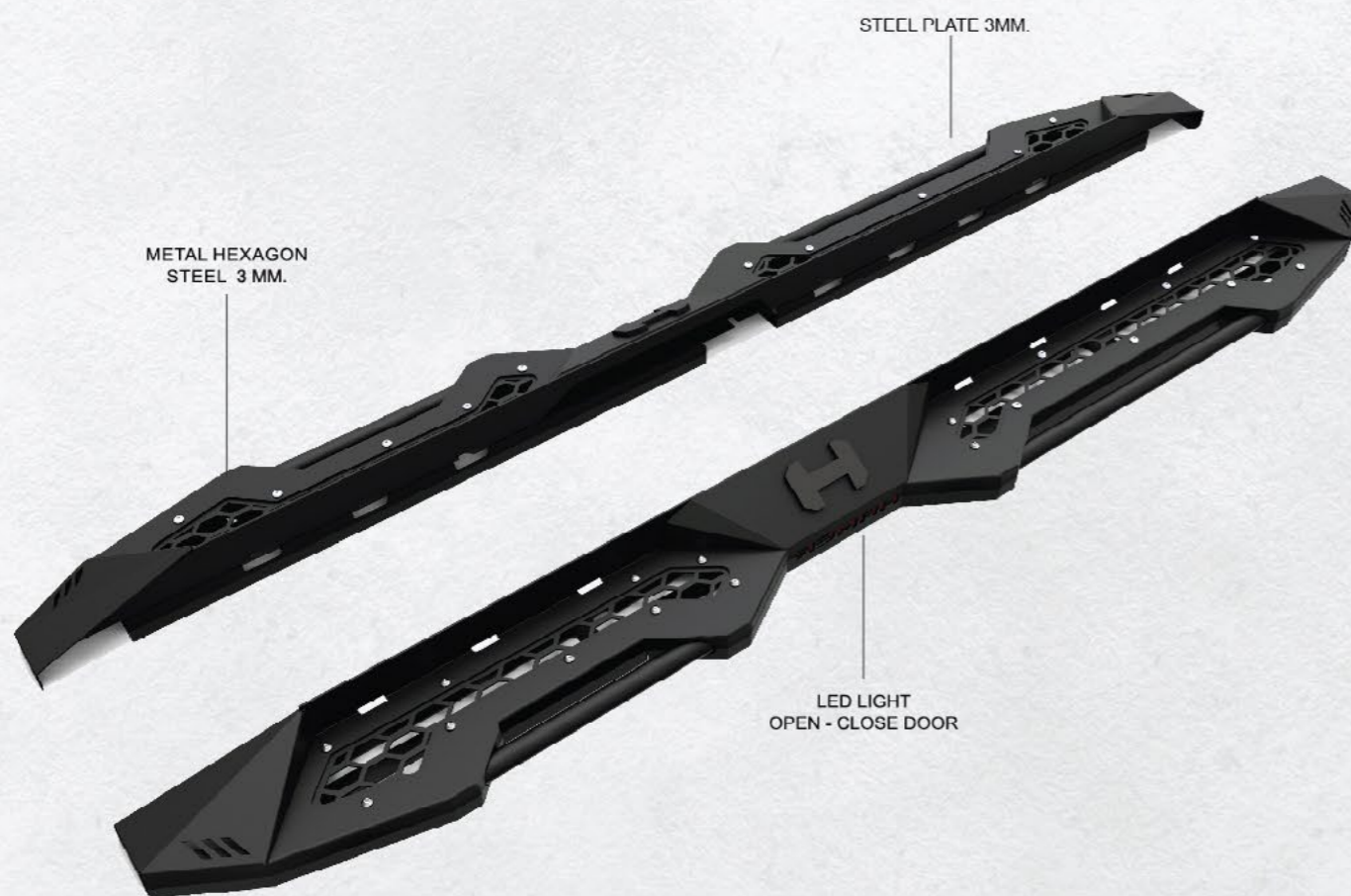
■ AVAILABLE FOR LC200 (10-15) / LC200 (16-21)



SM105-L2

# SHADOW SIDE STEPS

HAMER SIDE STEPS ARE DESIGNED TO PROVIDE EASY ACCESS TO A LIFTED OFF-ROAD VEHICLE WHILE OFFERING PROTECTION TO THE VEHICLE'S SIDES AND UNDERCARRIAGE.



- CONSTRUCTED FROM 3 MM. STEEL PLATE
- BODY MOUNTING BRACKETS
- MATTE BLACK POWDER COATED FINISH
- LED ILLUMINATION LIGHTS INCORPORATED

■ AVAILABLE FOR LC200 (10-15) / LC200 (16-21)







# LAND CRUISER 300 SERIES

## 4X4 ACCESSORIES

INTRODUCING OUR PREMIER OFF-ROAD ACCESSORIES RANGE FOR THE ICONIC TOYOTA LAND CRUISER 300 SERIES. DESIGNED TO ENHANCE YOUR OFF-ROAD EXPERIENCE, OUR PRODUCT LINE EMBRACES BOTH EXTERIOR AND INTERIOR ACCESSORIES ELEVATING THE DESIGN, PRACTICALITY AND PERFORMANCE OF YOUR VEHICLE.



# FRONT BULL BAR

INTRODUCING OUR LC300 BULL BAR SERIES : WHERE DESIGN MEETS FUNCTIONALITY AND OFF-ROAD PERFORMANCE. DESIGNED AND ENGINEERED TO MEET ADR STANDARDS OUR BULL BARS ARE CRAFTED TO FIT YOUR LC300 PERFECTLY.



AM106-L321

KING SERIES  
BULL BAR



AM106-PT-L321

KING SERIES PLUS  
BULL BAR

# GUARDIAN SERIES BULL BAR

AM112-L321



AVAILABLE IN BOTH STEEL AND ALUMINIUM

WITH A SEAMLESS BLEND OF FUNCTION AND STYLE, OUR BULL BARS ARE BUILT TO ELEVATE YOUR OFF-ROAD EXPERIENCE. EQUIPPED WITH UNIVERSAL LIGHTING CAPABILITY, WINCH COMPATIBILITY, AND CHASSIS MOUNTED RECOVERY POINTS, OUR BULL BARS ENSURE YOU'RE PREPARED TO CONQUER ANY TERRAIN.



# NUDGE BAR

A STYLISH AND PRACTICAL SOLUTION FOR ENHANCING YOUR VEHICLE'S LOOK AND PROTECTION. DESIGNED SPECIFICALLY FOR THOSE WHO WANT TO UPGRADE THEIR LC300 WITHOUT REMOVING THE ORIGINAL BUMPER.



AM103-L321

## TYPHON NUDGE BAR

AM110-L321

## PHANTOM NUDGE BAR



CRAFTED FROM HIGH-QUALITY STEEL, OUR NUDGE BAR OFFERS DURABILITY AND STRENGTH ENSURING OPTIMAL PERFORMANCE AND PEACE OF MIND ON THE ROAD. WITH MINIMAL MODIFICATIONS REQUIRED, OUR NUDGE BAR OFFERS A SIMPLE YET EFFECTIVE WAY TO IMPROVE YOUR CAR'S APPEARANCE.





# HAMER REAR BAR

INTRODUCING OUR OFF-ROAD REAR BUMPER WHERE DESIGN MEETS ADVENTURE. CRAFTED WITH OFF-ROAD ENTHUSIASTS IN MIND, THIS BUMPER IS BUILT TO CONQUER ANY TERRAIN WHILE ENHANCING YOUR OFF-ROAD JOURNEY.



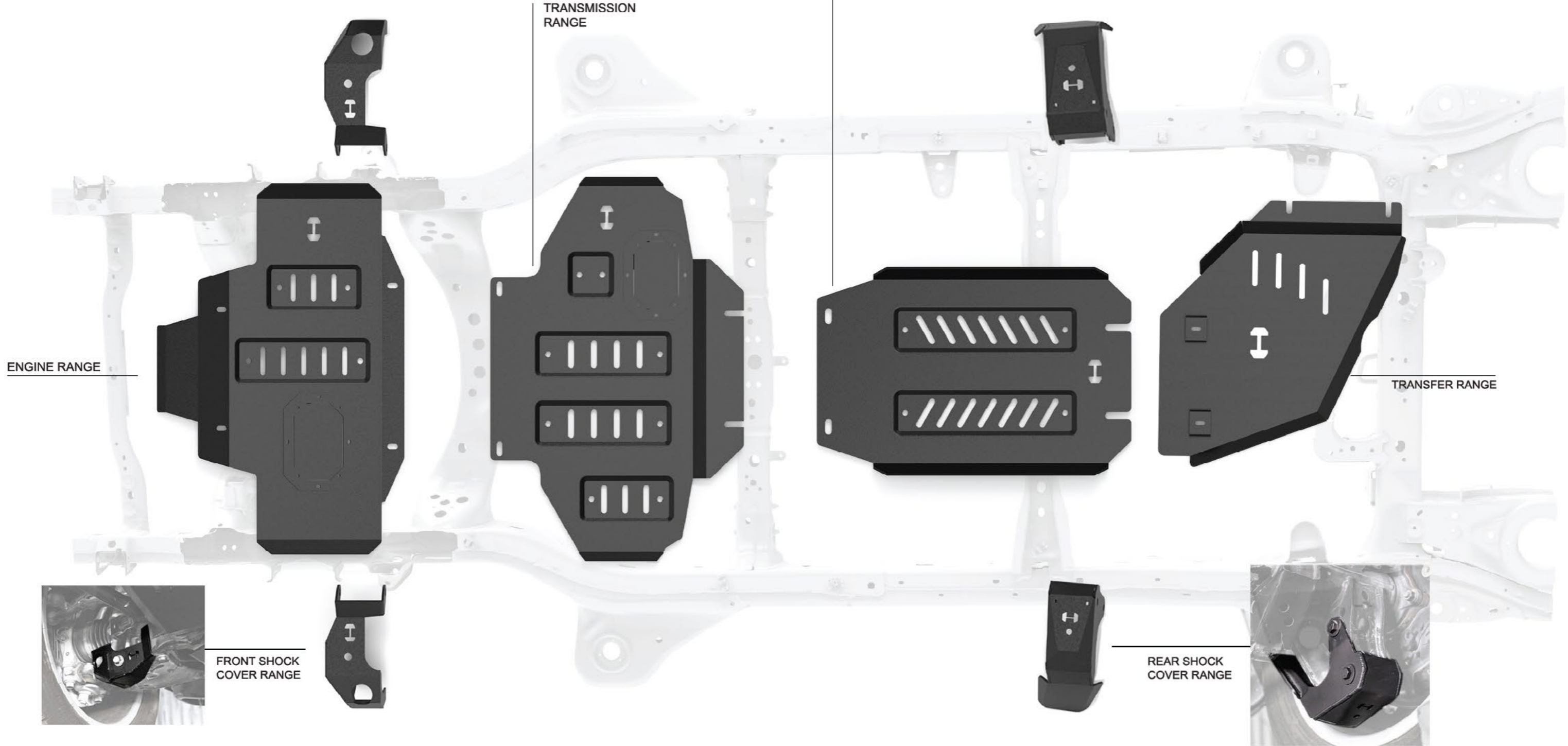
WITH OUR ADDED EXTENSIONS THAT ARE DESIGNED TO DELIVER PERFORMANCE AND FUNCTIONALITY LIKE NEVER BEFORE



H001-L321

# UNDER VEHICLE PROTECTION PLATES

ALUMINIUM 6MM. MAXIMUM PROTECTION FOR YOUR OFF-ROAD ADVENTURE. DESIGNED TO SAFEGUARD YOUR ENGINE, TRANSMISSION, DRIVE SHAFT, AND MORE OUR PLATES OFFERS FULL COVERAGE FOR VITAL COMPONENTS



“

WITH OUR SHOCK COVERS, WE DON'T JUST PROTECT YOUR VEHICLE'S ABSORBING SHOCKS, WE GUARD THEM WITH STYLE. ADDING AN EXTRA LAYER OF PROTECTION, OUR COVERS ENSURE OPTIMAL PERFORMANCE AND DURABILITY.

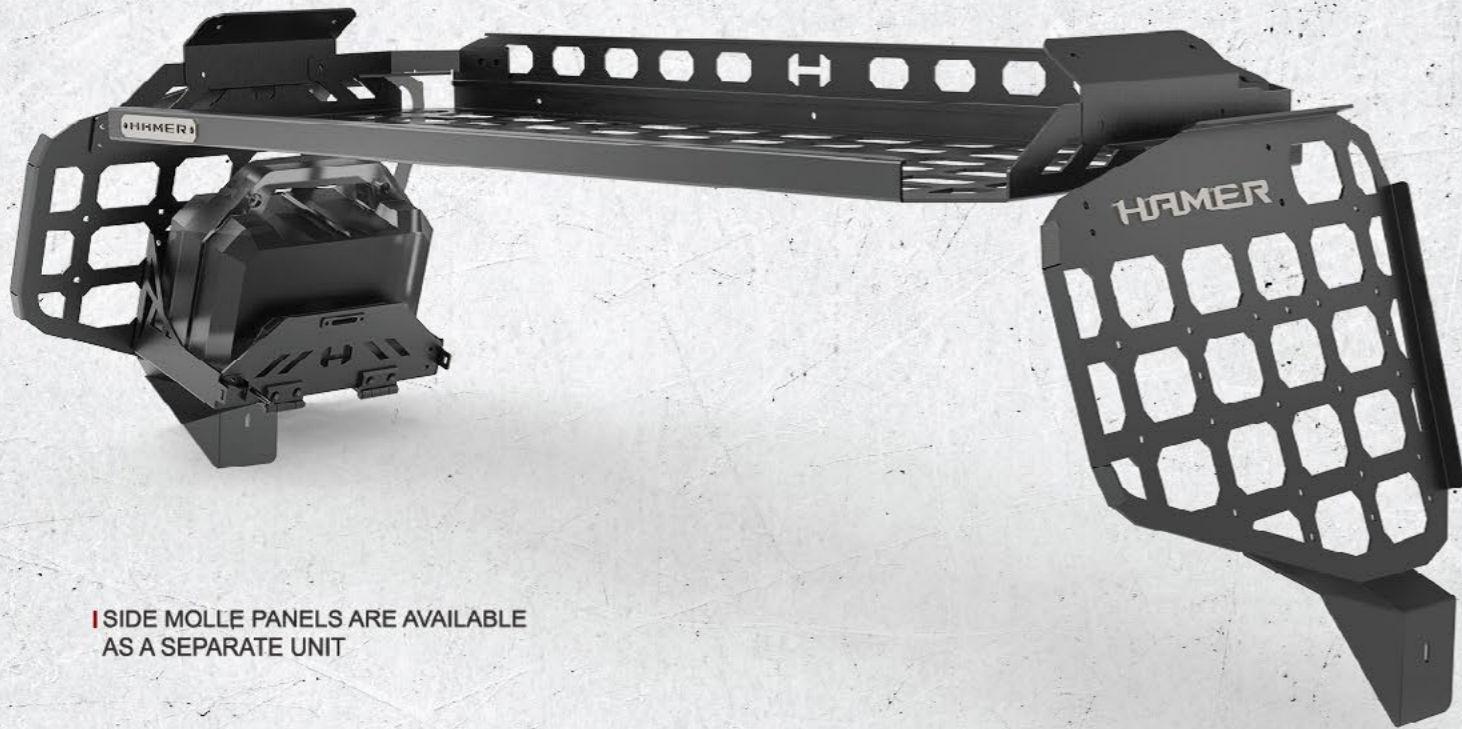
”



HA0201

# HAMER SIDE MOLLE PANELS AND ROOF SHELF

DESIGNED TO OPTIMIZE STORAGE AND CREATE A HIGHLY FUNCTIONAL SPACE WITHIN YOUR LC300.



SIDE MOLLE PANELS ARE AVAILABLE AS A SEPARATE UNIT

BY UTILIZING THE MOLLE (MODULAR LIGHTWEIGHT LOAD-CARRYING EQUIPMENT) SYSTEM, OUR PANELS OFFER VERSATILITY AND FLEXIBILITY. SIMPLY ATTACH YOUR POUCHES, HOLDERS, AND ACCESSORIES TO CREATE A TAILORED STORAGE SOLUTION THAT KEEPS EVERYTHING WITHIN REACH.

## READY & PREPARED



GET ORGANISED WITHOUT BLOCKING THE VISIBILITY OF THE REAR WINDOW

TOYOTA OEM AIR COMPRESSOR STORAGE



UNIVERSAL MOUNTING SUITABLE FOR MOST ACCESSORIES





HR161-L321

# HAMER FLAT RACK

EXPAND CAPACITY. ENHANCE VERSATILITY.  
EMBRACE ADVENTURE.

- LOW PROFILE AND LIGHT WEIGHT DESIGN
- MADE FROM HIGH QUALITY EXTRUDED ALUMINIUM
- PROVIDE PERSONALISATION AND FLEXIBILITY FOR YOUR EXTRA STORAGE
- MOUNTING CHANNELS ARE AVAILABLE ON BOTH BEAMS AND SIDE RAILS
- WIND DEFLECTOR ARE INCLUDED

WIND DEFLECTORS

HIGH QUALITY  
3MM. ALUMINIUM



SUPPORT  
LED LIGHT BAR

MAXIMUM LOAD  
60 KG.



WIND DEFLECTORS

SIGNATURE LOGO





HL023

# HAMER LUMINOS

LED DRIVING LIGHT AVAILABLE IN 7" AND 9"

HL023-C  
COVER LIGHT

SIZE 9 INCH



OPTIONAL LIGHT COVERLED LED

HIGH QUALITY ALUMINUM

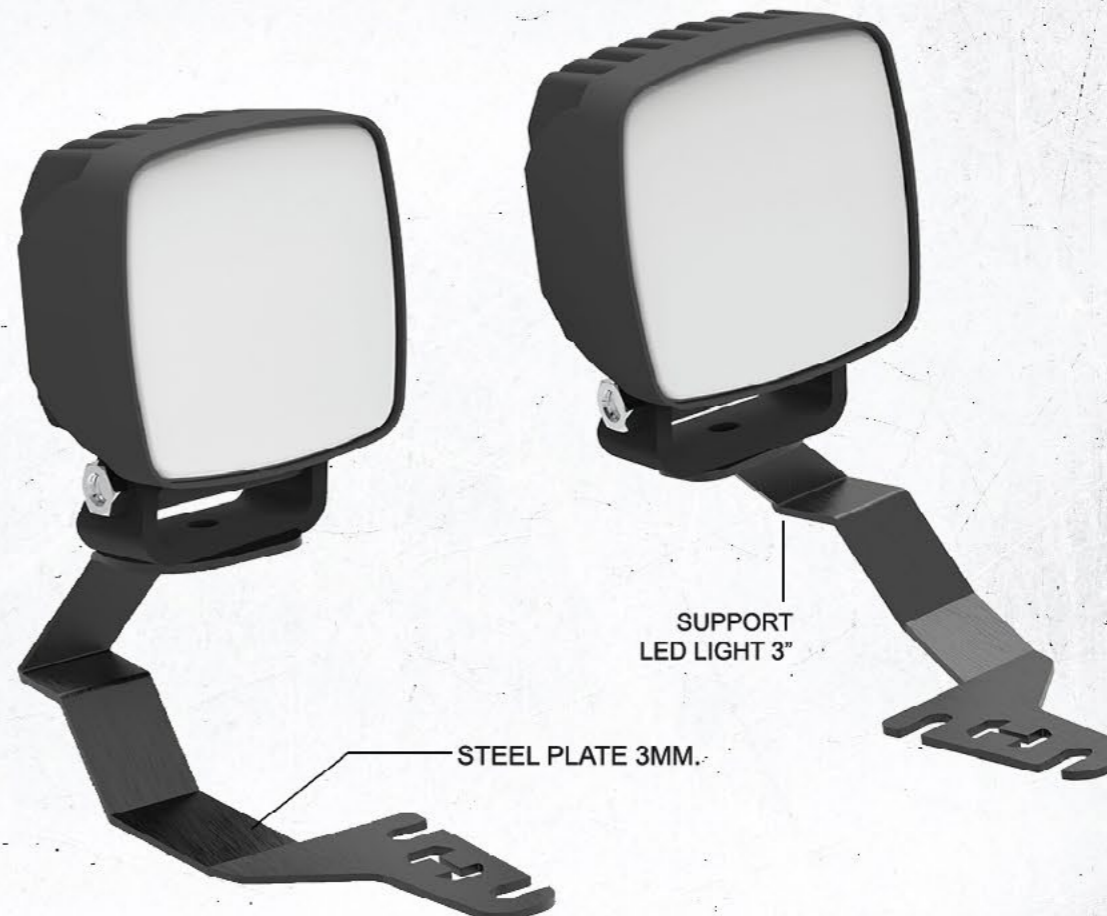


THESE POWERHOUSE LIGHTS ARE DESIGNED TO CUT THROUGH THE DARKNESS, PROVIDING A BLAZING BEAM OF LIGHT THAT GUIDES YOUR WAY. BUILT TO WITHSTAND THE HARSHTEST CONDITIONS OUR 7" AND 9" DRIVING LIGHTS ARE TOUGH AND DURABLE. THEY CAN HANDLE THE VIBRATIONS, IMPACTS, AND EXTREME WEATHER ENSURING RELIABLE PERFORMANCE WHEN YOU NEED IT MOST.

HA302

# COWL BRACKETS

INTRODUCING OUR HIGH - QUALITY BONNET LIGHT BRACKET, DESIGNED TO EASILY AND SECURELY MOUNT LIGHTS ONTO YOUR LC300'S BONNET.



SUPPORT LED LIGHT 3"

STEEL PLATE 3MM.

# COOLING FAN MOUNT BRACKET

DURABILITY AND HEAT RESISTANCE

CRAFTED FROM HIGH-GRADE ALUMINIUM OUR MOUNT BRACKET DELIVERS EXCEPTIONAL LIGHTWEIGHT PERFORMANCE, DURABILITY AND HEAT RESISTANCE. IT CAN WITHSTAND THE RIGORS OF OFF-ROAD ADVENTURES AND INTENSE DRIVING ENHANCING THE PERFORMANCE AND LONGEVITY OF YOUR VEHICLE.



CRAFTED FROM HIGH-GRADE ALUMINIUM



DESIGNED SPECIFICALLY FOR LC300, OUR COOLING FAN MOUNT BRACKET IS ENGINEERED TO SECURELY AND EFFICIENTLY MOUNT A 10-INCH SPAL FAN OR SIMILAR MODEL TO THE SIDE RADIATORS. ENSURING THAT YOUR TURBOS RECEIVE THE NECESSARY COOLING EVEN IN THE MOST DEMANDING CONDITIONS.

FOR TOYOTA LAND CRUISER LC300

EXPERIENCE IMPROVED VISIBILITY AND CONFIDENCE ON EVERY JOURNEY.





SM108-L321

# CHALLENGER SIDE STEPS

FOR THE ULTIMATE PROTECTION



STEEL BRACKET MOUNT DIRECTLY TO CHASSIS



HAMER



STEEL PLATE 3MM.

SM103-L321

# HAMER SIDE STEP & SIDE RAIL

STEP UP YOUR ADVENTURES WITH STYLE AND FUNCTIONALITY.



3MM. ANTI SLIP CHEQUER PLATE

STEEL PIPE 3MM.



▲ PROVIDE ADDITIONAL PROTECTION AGAINST ROCKS, BRUSH, AND OTHER OBSTACLES ENCOUNTERED DURING OFF-ROAD EXPLORATIONS.



MADE FROM HIGH-QUALITY MATERIALS ► THEY ARE BUILT TO ENDURE THE TOUGHEST CONDITION





**4X4 ACCESSORIES**

---

**PUSH  
BOUNDARIES,  
GO BEYOND**

---

**TOYOTA LAND CRUISER FJ  
(2006-2010)**



AM106-FJ06

# KING SERIES BULL BAR

INTRODUCING OUR SIGNATURE BULL BAR SPECIFICALLY DESIGNED FOR THE FJ CRUISER. THIS EXCEPTIONAL BULL BAR IS METICULOUSLY CRAFTED TO COMPLY WITH ADR STANDARDS ENSURING THE HIGHEST LEVELS OF SAFETY AND PERFORMANCE. PACKED WITH IMPRESSIVE FEATURES THIS SIGNATURE BULL BAR ELEVATES YOUR OFF-ROAD EXPERIENCE. IT PROVIDES IMPROVED GROUND CLEARANCE ALLOWING YOU TO NAVIGATE ROUGH TERRAINS WITH EASE. WITH WINCH COMPATIBILITY YOU CAN SAFELY RECOVER YOUR VEHICLE OR ASSIST OTHERS DURING CHALLENGING SITUATIONS.



ACCOMMODATES  
DRIVING LIGHTS



DUAL AERIAL  
PROVISION



ADR  
COMPLIANT



AIRBAG  
COMPATIBLE

1YR

1 YEAR  
WARRANTY



HAND CRAFT  
WORKING



WINCH  
COMPATIBLE

WHETHER YOU'RE EMBARKING ON AN OFF-ROAD ADVENTURE OR SIMPLY CRUISING THROUGH THE CITY OUR SIGNATURE BULL BAR FOR THE FJ CRUISER IS THE PERFECT COMBINATION OF FUNCTIONALITY AND AESTHETICS. IT NOT ONLY PROVIDES ADDED PROTECTION BUT ALSO GIVES YOUR VEHICLE A DISTINCTIVE LOOK THAT COMMANDS ATTENTION



AM106-PT-FJ06

# KING SERIES PLUS

## BULL BAR



BEYOND ITS PROTECTIVE FUNCTION, THE TRIPLE LOOP ALSO SERVES AS A VERSATILE MOUNTING POINT FOR AN ARRAY OF ACCESSORIES. EASILY ATTACH ANTENNAS, FLAGS, POLES, AND ADDITIONAL LIGHTS TO ENHANCE YOUR OFF-ROAD CAPABILITIES AND PERSONALIZE YOUR ADVENTURE SETUP.

AM107-FJ06

# PRIME SERIES

## BULL BAR



THE ULTIMATE  
OFF ROAD THRILLS

OUR KING SERIES PLUS BULL BAR TAKES THE OFF-ROAD EXPERIENCE TO A WHOLE NEW LEVEL. FEATURING THE ADDITION OF A TRIPLE LOOP DESIGN THIS SERIES NOT ONLY PROVIDES ENHANCED PROTECTION TO YOUR VEHICLE BUT ALSO UNLEASHES A WORLD OF ACCESSORY POSSIBILITIES. THE TRIPLE LOOP DESIGN ADDS AN EXTRA LAYER OF DEFENSE TO YOUR VEHICLE SAFEGUARDING IT AGAINST IMPACTS AND OBSTACLES ENCOUNTERED ON RUGGED TRAILS.



FOCUSING ON MAXIMIZING GROUND CLEARANCE, OUR PRIME SERIES BULL BAR BOASTS A SLEEK AND SLIM PROFILE THAT SETS IT APART FROM THE REST. DESIGNED WITH A KEEN EYE FOR AESTHETICS AND FUNCTIONALITY, OUR SLIM DESIGN BULL BAR OFFERS A PERFECT BALANCE BETWEEN STYLE AND PRACTICALITY. IT COMPLEMENTS YOUR VEHICLE'S EXTERIOR WHILE PROVIDING SUPERIOR PROTECTION AGAINST UNEXPECTED OBSTACLES ENCOUNTERED DURING YOUR OFF-ROAD ADVENTURES.





**MORE PROTECTION**

# UNDER VEHICLE PROTECTION PLATES

THE PROTECTIVE SKID PLATE IS UNIQUELY DESIGNED WITH 3MM THICKNESS TO PROTECT YOUR VEHICLE WITH CONFIDENCE.



**1**  
ENGINE RANGE PROTECTION

**2**  
TRANSMISSION RANGE PROTECTION

**3**  
DRIVE SHAFT PROTECTION

SKID PLATES PROVIDE A PROTECTIVE BARRIER FOR VITAL COMPONENTS LOCATED UNDERNEATH THE VEHICLE SUCH AS THE ENGINE, TRANSMISSION, FUEL TANK AND DIFFERENTIAL. THEY SHIELD THESE VULNERABLE PARTS FROM ROCKS DEBRIS BRANCHES AND OTHER OBSTACLES ENCOUNTERED OFF-ROAD MINIMIZING THE RISK OF DAMAGE OR PUNCTURE.



KING SERIES BULL BAR  
**RAM 1500**  
2011-2019 (DS)



KING SERIES BULL BAR  
**RAM 1500**  
2020-PRESENT (DT)



# KING SERIES

FOR RAM 1500 (2011-2019)(DS)  
FOR RAM 1500 (2020-ON) (DT)

AM106-DS11

AM106-DT20

- LED FOG LIGHT, INDICATOR LIGHTS & POSITION LIGHTS
- SUPPORT LIGHT BAR SIZE 20 INCH
- MATTE BLACK POWDER COATED FINISH
- MODERN AMERICAN DESIGN





KING-SERIES FENDIE VERSION FOR  
**JEEP WRANGLER**



- AERIAL MOUNTS
- MATTE BLACK POWDER COAT FINISH
- SUPPORTS 22" LED LIGHT BAR
- TWO RECOVERY POINTS
- MODERN AMERICAN DESIGN



KING-SERIES STUBBY VERSION FOR  
**JEEP WRANGLER**





FOR MAZDA BT50 (2012-2020)  
**KING SERIES** ◀



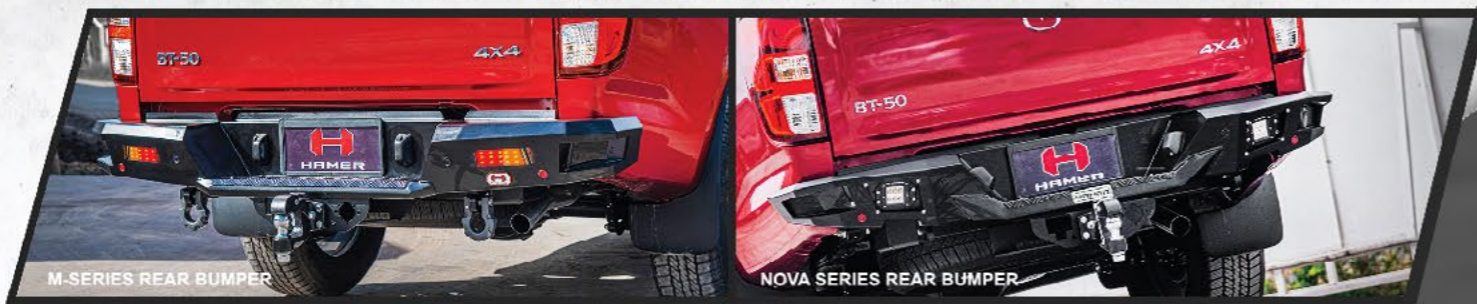
KING SERIES BULL BAR  
FOR MAZDA BT50 (2012-2019)

M-SERIES REAR BUMPER  
FOR MAZDA BT50 (2012-2019)



FOR MAZDA BT50 (2020+)

▶ **KING SERIES PLUS**



M-SERIES REAR BUMPER

NOVA SERIES REAR BUMPER





REAR BUMPER MX202-BT20

# M-SERIES

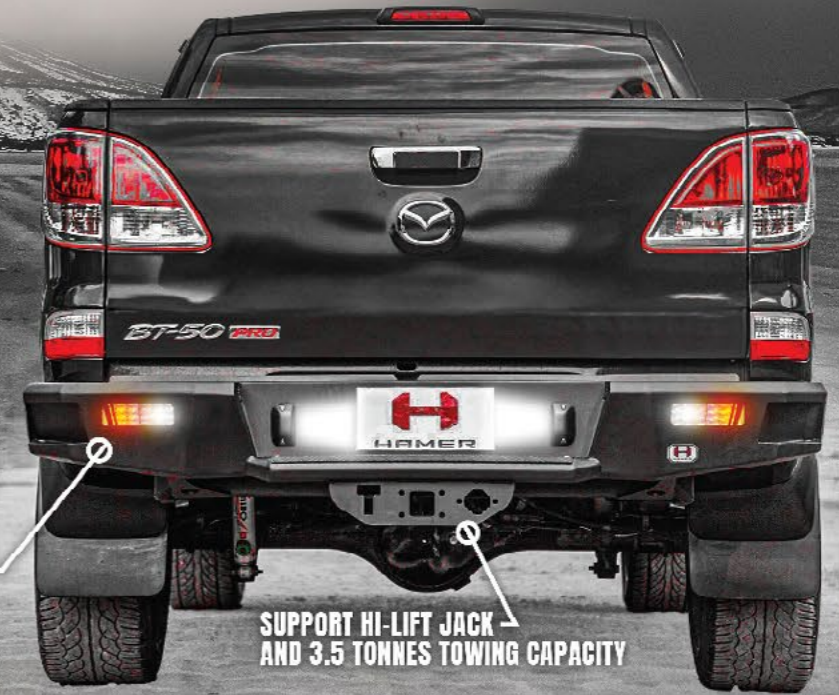
FOR MAZDA BT50 (2020-PRESENT)



SIGNAL LIGHTS AND REVERSE LIGHTS

SUPPORT HI-LIFT JACK AND 3.5 TONNES TOWING CAPACITY

MAZDA BT50 (2012-2019)



SIGNAL LIGHTS AND REVERSE LIGHTS

SUPPORT HI-LIFT JACK AND 3.5 TONNES TOWING CAPACITY

REAR BUMPER MX202-BT20

# M-SERIES

FOR MAZDA BT50 (2012-2019)





SERIES REAR BUMPER MX204-BT20

# NOVA



FOR MAZDA BT50 (2020-PRESENT)



# EXPRESS YOURSELF



ENJOY LIFE'S ADVENTURES



FOR ALL MODEL **MITSUBISHI TRITON**  
**KING SERIES**

AM106-T08 2009-2014  
**MITSUBISHI TRITON**  
 ■ KING SERIES BULL BAR



AM106-T10 2015-2018  
**MITSUBISHI TRITON**  
 ■ KING SERIES BULL BAR



AM106-T19 2019+  
**MITSUBISHI TRITON**  
 ■ KING SERIES BULL BAR



AM106-P20 2020+  
**MITSUBISHI PAJERO**  
 ■ KING SERIES BULL BAR



SUPPORT ACTIVE CORNERING LIGHTS



KING SERIES FOR MITSUBISHI PAJERO 2016-2019

► **MITSUBISHI**  
**TRITON**  
 2024+



AM103-T24  
**TYPHOON**  
 SERIES NUDGE BAR



MX202-T24  
**M-SERIES**  
 REAR BUMPER



SUPPORT BLIND SPOT MONITOR FUNCTION (BSM)



LED SIGNAL LIGHTS

MX204-T24  
**NOVA**  
 SERIES REAR BUMPER



SUPPORT ALL FUNCTIONS FROM FACTORY

LED SPOT LIGHTS





FRONT SERIES BULL BAR FOR **NISSAN NAVARA PRO4X 2021+**

AM111-N20

SERIES BULL BAR  
**ATLAS**



AM107-N20

SERIES BULL BAR  
**PRIME**



SERIES BULL BAR  
**KING**

AM106-N20

SERIES BULL BAR  
**KING PLUS**

AM106-PT-N20



STORM SERIES NUDGE BAR



CYCLONE SERIES NUDGE BAR



KING SERIES BULL BAR



KING SERIES PLUS BULL BAR



PRIME SERIES BULL BAR



ATLAS SERIES BULL BAR



FOR NISSAN NAVARA PRO4X (2020+)

# NOVA SERIES REAR BUMPER



# NOVA SERIES REAR BUMPER ADVENTURE AWAKE



**SUPPORT**  
ALL FACTORY FUNCTION



**NEW  
EXPERIENCE**



FOR NISSAN TERRA 2022+  
**KING**  
SERIES BULL BAR

AM106-TR21



- SUPPORT LED LIGHT BAR SIZE 20"
- SUPPORT ALL FACTORY FUNCTION
- WINCH COMPATIBLE

**LEGENDARY  
OF OFFROAD**



FOR NISSAN TERRA 2018-2021  
**KING**  
AM106-TR18 SERIES BULL BAR

AM106-Y220

SERIES BULL BAR

**KING**

NISSAN PATROL Y62 (2021-PRESENT)







AM106-JB64 | AM106-JB74

SUZUKI JIMNY JB64 & JB74

# KING SERIES

## FRONT BULL BAR

REFRESHING UP TO THE NEW CHARACTERS  
YOUR CAR AND MORE PROTECTIONS.

FEATURES INCLUDE:

- STEEL PLATE 3 MM.
- A WINCH MOUNT FOR INSTALLING A WINCH
- A TOW HOOK FOR TOWING
- A MOUNTING POINT FOR A LIGHT BAR
- A BLACK POWDER-COATED FINISH FOR DURABILITY
- LED SPOT LIGHTS CUBE 2 PCS

AVAILABLE IN ALUMINIUM

# SUZUKI JIMNY JB64 & JB74

## KING SERIES PLUS

AM106-PT-JB64 | AM106-PT-JB74 FRONT BULL BAR

UPGRADE STRENGTH TO THE NEXT LEVEL  
WITH AN ELEVATED DESIGN.

FEATURES INCLUDE:

- STEEL UPRIGHTS SIZE 50.80 MM.
- STEEL PLATE 3 MM.
- A WINCH MOUNT FOR INSTALLING A WINCH
- A TOW HOOK FOR TOWING
- A MOUNTING POINT FOR A LIGHT BAR
- A BLACK POWDER-COATED FINISH FOR DURABILITY
- LED SPOT LIGHTS CUBE 2 PCS



AM111-JB64 | AM111-JB74

SUZUKI JIMNY JB64 & JB74

# GUARDIAN

## FRONT BULL BAR

THE PERFECT COMBINATION  
OF STYLE AND SUBSTANCE

FEATURES INCLUDE:

- STEEL PLATE 3 MM.
- A WINCH MOUNT FOR INSTALLING A WINCH
- A TOW HOOK FOR TOWING
- A MOUNTING POINT FOR A LIGHT BAR
- A BLACK POWDER-COATED FINISH FOR DURABILITY
- LED SPOT LIGHTS 2IN1 HAVE SIGNAL LIGHT, DAYTIMES

AVAILABLE IN ALUMINIUM



FOR SUZUKI JIMNY JB74

# REAR LADDER



HAMER REAR LADDER FOR SUZUKI JIMNY IS A  
MULTI-PURPOSE REAR LADDER MADE FROM HIGH  
QUALITY MATERIALS, STRONG AND  
DURABLE, EASY AND QUICK TO INSTALL, CAN  
SUPPORT A MAXIMUM WEIGHT OF 150  
KILOGRAMS, MODERN AND BEAUTIFUL DESIGN,  
SUITABLE FOR INCREASING THE USABLE SPACE  
BEHIND THE VEHICLE. INCREASE CONVENIENCE IN  
GETTING IN AND OUT OF THE CAR OR CARRYING  
LARGE LUGGAGE

SIDE STEPS

SM101-JB64 | SM101-JB74

# ROCK SLIDER

FOR SUZUKI JIMNY JB64 & JB74



SM104-JB64 | SM104-JB74

# ROCK SLIDER

FOR SUZUKI JIMNY JB64 & JB74



FOR SUZUKI JIMNY JB74

# SOLAR

ROOF RACK



FOR SUZUKI JIMNY JB74

# FLAT RACK

ROOF RACK

# ROOF RACK



SUZUKI JIMNY JB64&JB74

# JIMNY REAR BAR



## JIMNY'S REAR BAR

HAMER REAR BAR ARE DESIGNED AND STYLE TO FITS PERFECTLY AND SEAMLESSLY TO YOUR JIMNY. OFFER A STRONG BARRIER BETWEEN THE VEHICLE'S BODY AND THE EXTERNAL ENVIRONMENT. HAMER REAR BUMPERS ARE CONSTRUCTED USING HEAVY DUTY, HIGH QUALITY GRADE STEEL OR ALUMINIUM. TO WITHSTAND IMPACTS, VIBRATION AND HARSH OFF-ROAD CONDITION, PROVIDING ENHANCED DURABILITY AND LONGEVITY.



AVAILABLE IN ALUMINIUM

### MX200-JB64 MX200-JB74 REAR BAR JIMNY SERIES

FEATURES INCLUDE:

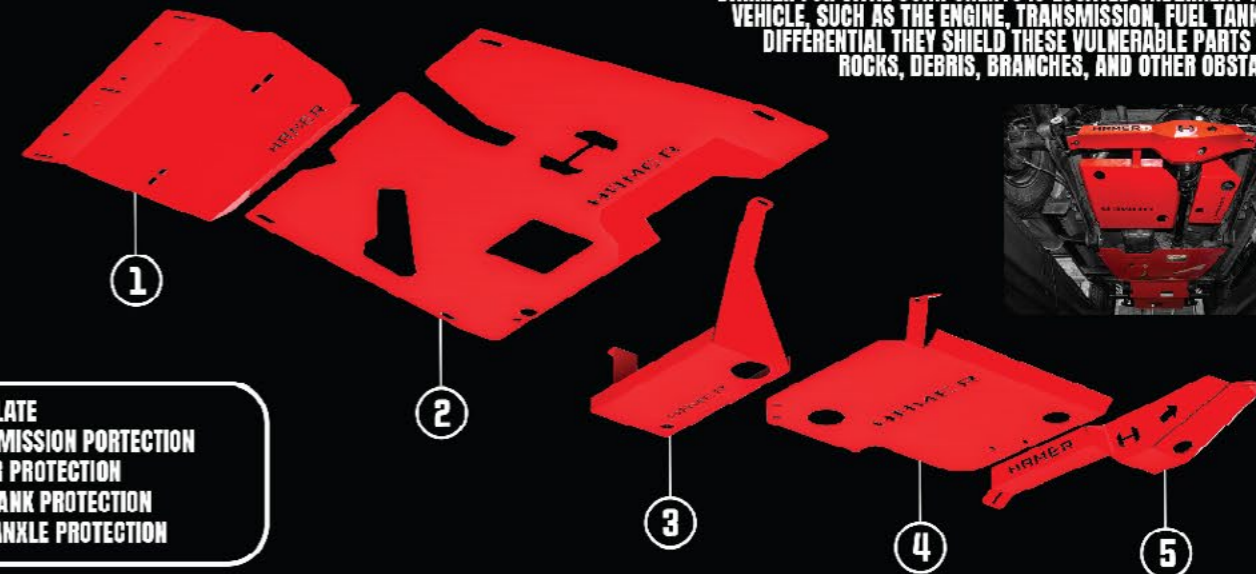
- STEEL PLATE 3MM OR ALUMINIUM PLATE 3MM
- DESIGNED TO FIT PERFECTLY WITH ORIGINAL TAILLIGHT
- TOW CAPABLE UP TO 3 TONS
- LICENSE PLATE RELOCATION INCLUDED

SUZUKI JIMNY JB64&JB74

# UNDER PROTECTION

H001-JB74 PLATES

HAMER UNDER PROTECTION PLATES PROVIDE A PROTECTIVE BARRIER FOR VITAL COMPONENTS IS LOCATED UNDERNEATH THE VEHICLE, SUCH AS THE ENGINE, TRANSMISSION, FUEL TANK, AND DIFFERENTIAL THEY SHIELD THESE VULNERABLE PARTS FROM ROCKS, DEBRIS, BRANCHES, AND OTHER OBSTACLES.



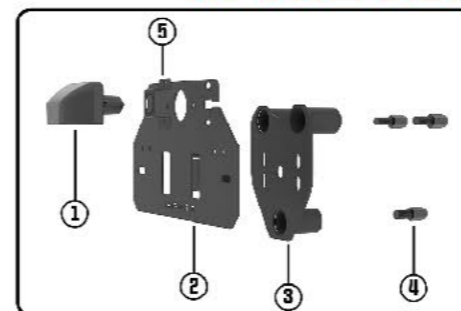
1. SKID PLATE
2. TRANSMISSION PROTECTION
3. MOTOR PROTECTION
4. FUEL TANK PROTECTION
5. REAR AXLE PROTECTION

FOR SUZUKI JIMNY JB74

# LINCENSE PLATE



## IN THE BOX



1. LICENSE PLATE LIGHT
2. LICENSE BRACKET
3. WHEEL BRACKET
4. SPECIAL M12 BOLT
5. SUPPORT BRACKETS





# Nudge Bar SERIES

## AM101 CYCLONE SERIES NUDGE BAR



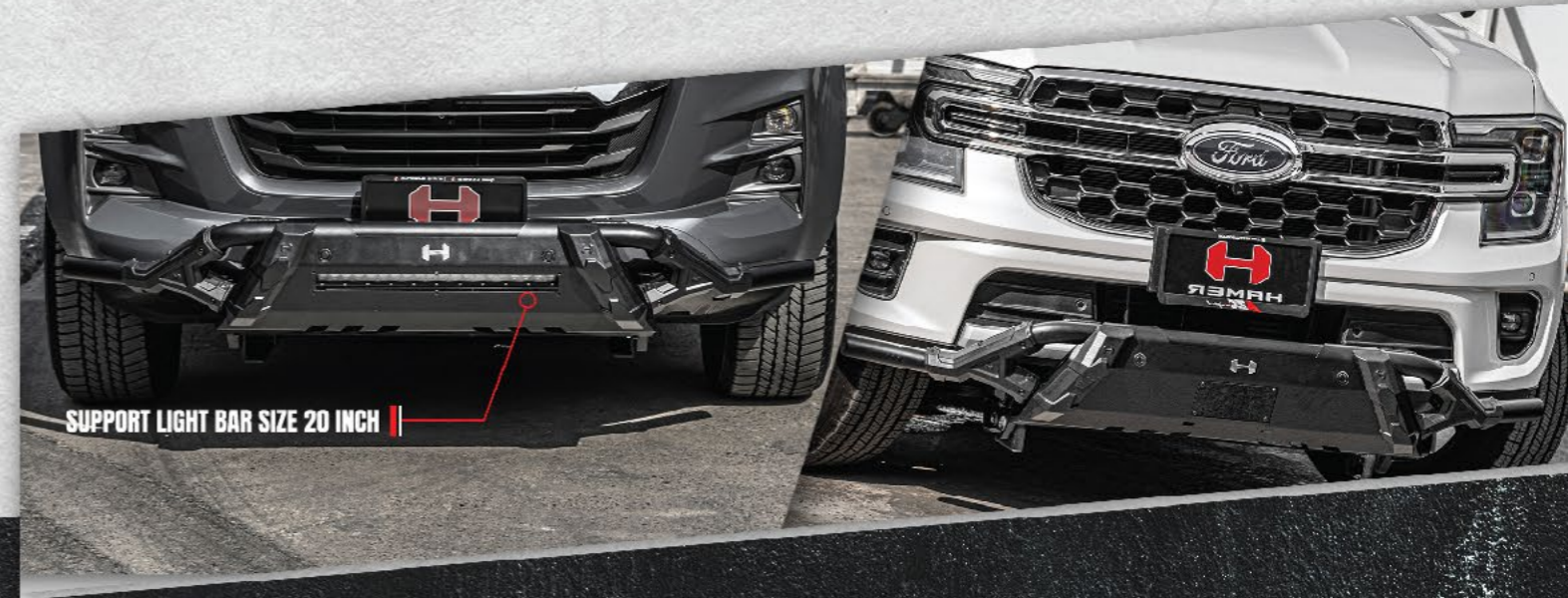
## SERIES NUDGE BAR AM103 TYPHOON



LIGHT BAR VERSION



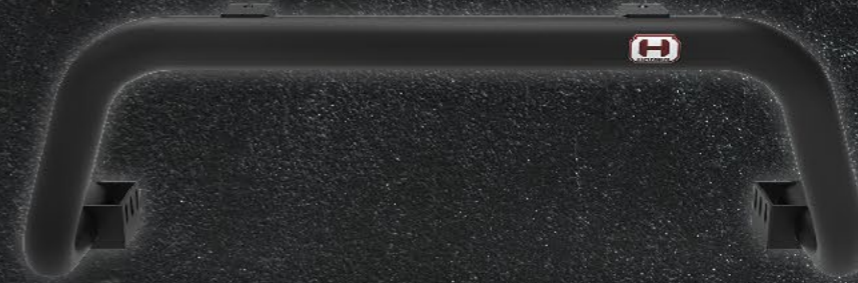
TECHPAK SUPPORT VERSION



## AM102 STORM SERIES NUDGE BAR



## SERIES NUDGE BAR AM116 THUNDER



AERIAL MOUNT



## G-SERIES MX-201



## S-SERIES MX-205



- WINCH COMPATIBLE ( S-SERIES ONLY )
- 63.5 MM. STEEL TUBE FOR SIDE PROTECTION
- TWO RECOVERY POINTS ( RS-SERIES EXCEPT )
- LED LICENSE PLATE LAMPS
- SUPPORTS ALL FACTORY SENSORS
- MATTE BLACK POWDER COATED FINISH
- ADR APPROVED



MX-205

**S-SERIES**



WINCH COMPATIBLE



**SB1601**  
**CLASSIC SERIES**  
**ROLL BAR**  
(OPTIONAL BRAKE LIGHT)



**SB1602**  
**PREMIUM SERIES**  
**ROLL BAR**



**SB1701**  
**KNIGHT SERIES**  
**ROLL BAR**



**SB1901**  
**HECTOR SERIES**  
**ROLL BAR**



- MADE OF HIGH-QUALITY 76.2 MM. STEEL TUBE.
- STRONG STRUCTURE TO SUPPORT HEAVY-DUTY USE
- ADJUSTABLE IN WIDTH TO FIT VARIOUS MODELS
- MATTE BLACK POWDER COATED FINISH

**SERIES ROLL BAR SB2000**  
**NIGHT FURY**

MADE OF HIGH QUALITY SIZE 63.75 MM. STEEL TUBE



LED 3RD LIGHTS INCORPORATED



LED BRAKE LIGHTS & REVERSE LIGHTS





**SB2100**  
**VICTOR SERIES**  
ROLL BAR



**SB1801**  
**TITANIUM SERIES**  
ROLL BAR



**SB1902**  
**WARRIOR SERIES**  
ROLL BAR





# THE INNOVATION WARRIOR PLUS SERIES ROLL BAR



**LED SPOT LIGHTS 60W X6 PCS.**



**FULL FUNCTION LIGHTS**

“ DESIGNED TO IMPROVE THE DRIVING EXPERIENCE AND PROVIDE EVERY DRIVERS WITH GREATER CONFIDENCE AND SAFTY BOTH ON AND OFFROAD ”



HR155  
**GRAPHITE**  
 ROOF TENT RACK



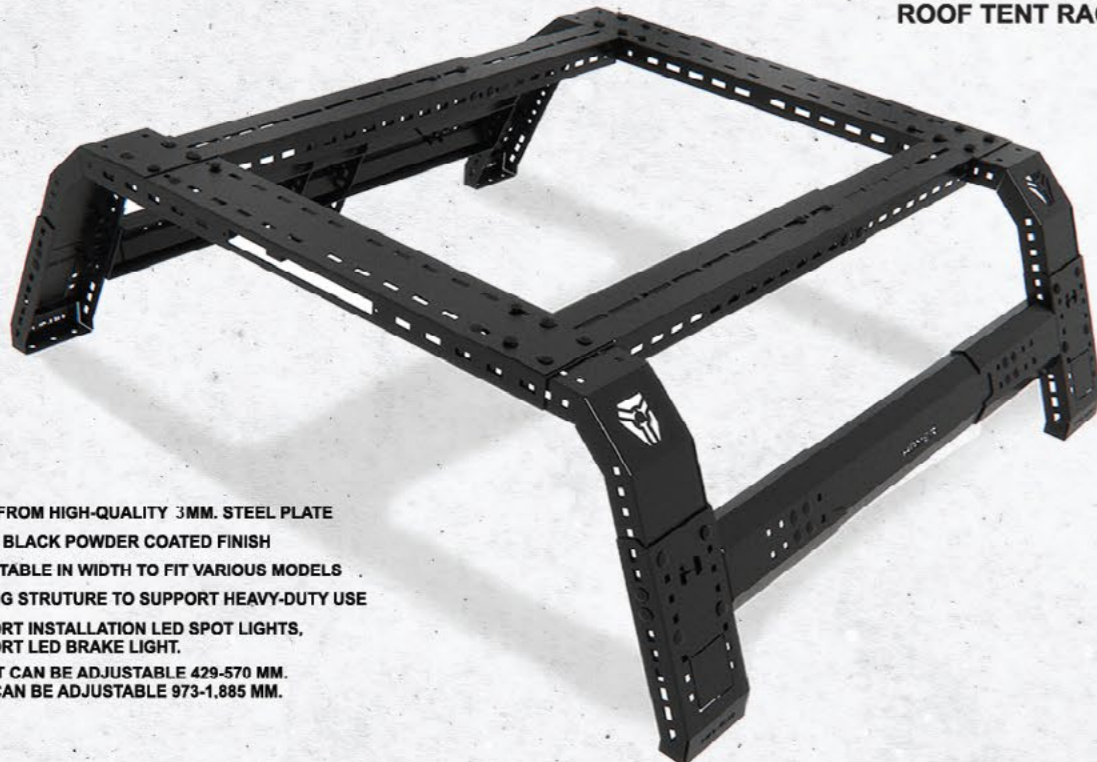
- MADE FROM HIGH-QUALITY 3 MM. STEEL PLATE
- MATTE BLACK POWDER COATED FINISH
- ADJUSTABLE IN WIDTH TO FIT VARIOUS MODELS
- STRONG STRUTURE TO SUPPORT HEAVY-DUTY USE
- HEIGHT OF THE RACK IS 51 MM.

HR156  
**GROLY**  
 ROOF TENT RACK



- MADE FROM HIGH-QUALITY 3 MM. STEEL PLATE
- MATTE BLACK POWDER COATED FINISH
- ADJUSTABLE IN WIDTH TO FIT VARIOUS MODELS
- STRONG STRUTURE TO SUPPORT HEAVY-DUTY USE
- HEIGHT OF THE RACK IS 331 MM.

HR154  
**GLADIATOR**  
 ROOF TENT RACK



- MADE FROM HIGH-QUALITY 3 MM. STEEL PLATE
- MATTE BLACK POWDER COATED FINISH
- ADJUSTABLE IN WIDTH TO FIT VARIOUS MODELS
- STRONG STRUTURE TO SUPPORT HEAVY-DUTY USE
- SUPPORT INSTALLATION LED SPOT LIGHTS, SUPPORT LED BRAKE LIGHT.
- HEIGHT CAN BE ADJUSTABLE 429-570 MM.
- WIDE CAN BE ADJUSTABLE 973-1,885 MM.



# GLADIATOR PLUS

( HEIGHT CAN BE ADJUSTABLE 429-570 MM.) ROOF TENT RACK



MADE FROM HIGH-QUALITY  
 3 MM. STEEL PLATE

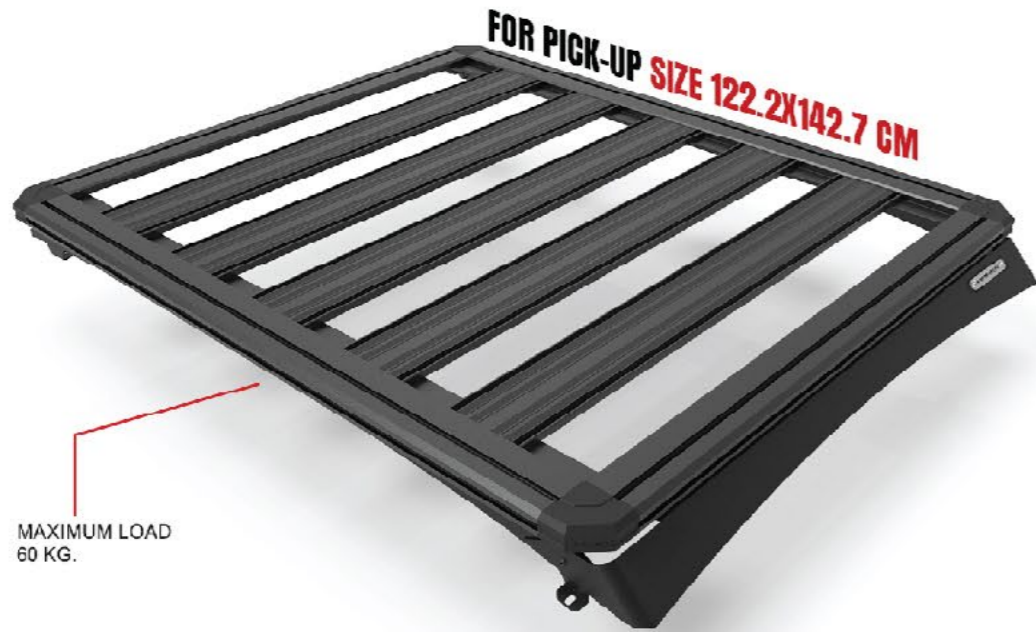


STEEL PLATE FOR INSTALLATION  
 ACCESSORIES FOR TENT RACK



# FLAT RACK

EXPAND CAPACITY. ENHANCE VERSATILITY.  
EMBRACE ADVENTURE.



FOR PICK-UP SIZE 122.2X142.7 CM

MAXIMUM LOAD  
60 KG.



FOR PPV SIZE 122.2X187.6 CM

WIND DEFLECTORS

- LOW PROFILE AND LIGHT WEIGHT DESIGN
- MADE FROM HIGH QUALITY EXTRUDED ALUMINIUM
- PROVIDE PERSONALISATION AND FLEXIBILITY FOR YOUR EXTRA STORAGE
- MOUNTING CHANNELS ARE AVAILABLE ON BOTH BEAMS AND SIDE RAILS
- WIND DEFLECTOR ARE INCLUDED



MORE SPACE FOR BAGGAGE

ADJUSTABLE FOR ACCESSORIES



WIND DEFLECTORS

SIGNATURE LOGO





# SOLAR SERIES

ROOF RACK (FOR PICK-UP)



# SOLAR SERIES

ROOF RACK (FOR SUV)

HR120  
CLASSIC ROOF RACK



HR121  
LUNAR ROOF RACK



HR151  
LUNAR ROOF RACK



HR157  
ALPHA ROOF RACK



HR158  
BETA ROOF RACK



# HAMMER ROOF RACK SERIES





**SM105**

# SHADOW SERIES

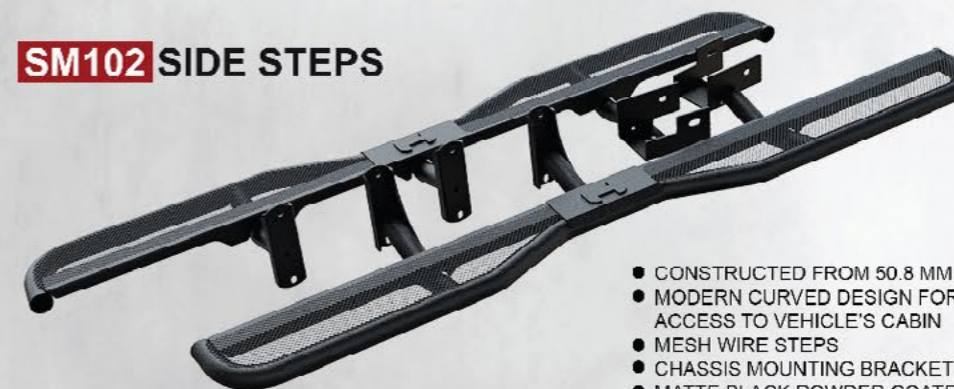
- CONSTRUCTED FROM 3 MM. STEEL PLATE
- BODY MOUNTING BRACKETS
- MATTE BLACK POWDER COATED FINISH
- LED ILLUMINATION LIGHTS INCORPORATED

**SM101 CLASSIC SIDE STEPS**



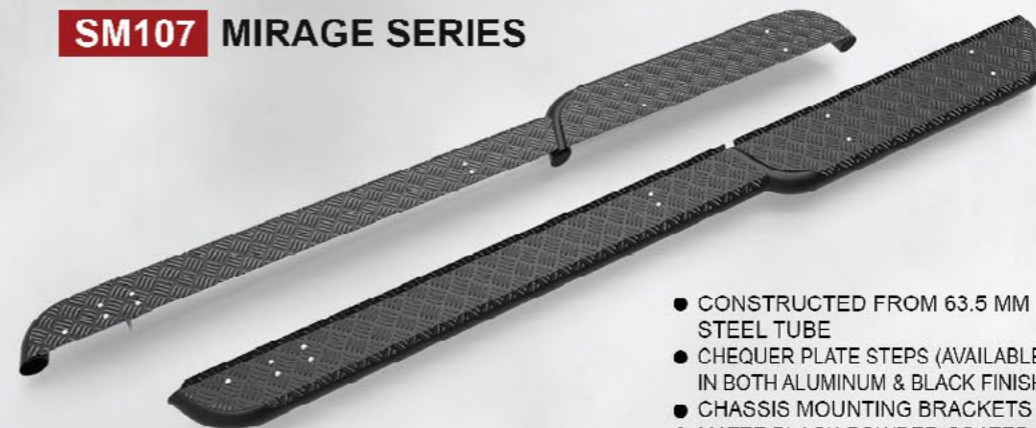
- CONSTRUCTED FROM 63.5 MM STEEL TUBE
- CHEQUER PLATE STEPS (AVAILABLE IN BOTH ALUMINUM & BLACK FINISH)
- CHASSIS MOUNTING BRACKETS
- MATTE BLACK POWDER COATED FINISH
- DESIGNED FOR TOUGH OFFROAD CONDITIONS

**SM102 SIDE STEPS**



- CONSTRUCTED FROM 50.8 MM STEEL TUBE
- MODERN CURVED DESIGN FOR EASY ACCESS TO VEHICLE'S CABIN
- MESH WIRE STEPS
- CHASSIS MOUNTING BRACKETS
- MATTE BLACK POWDER COATED FINISH

**SM107 MIRAGE SERIES**



- CONSTRUCTED FROM 63.5 MM STEEL TUBE
- CHEQUER PLATE STEPS (AVAILABLE IN BOTH ALUMINUM & BLACK FINISH)
- CHASSIS MOUNTING BRACKETS
- MATTE BLACK POWDER COATED FINISH
- DESIGNED FOR TOUGH OFFROAD CONDITIONS

**SM108 CHALLENGER ROCK SLIDER**



- HAMER CHALLENGER ROCK SLIDER OFFER PROTECTION FOR THE VEHICLE'S SIDES AND UNDERCARRIAGE FROM POTENTIAL DAMAGE CAUSED BY ROCKS DEBRIS OR OTHER OBSTACLES ENCOUNTERED DURING OFF ROAD EXCURSIONS. DESIGNED AND ENGINEERED TO BE MOUNTED DIRECTLY TO CHASSIS ALLOW FOR OPTIMAL PERFORMANCE IN ANY CHALLENGING TERRAIN



ROOF TENT RACK

# ALUMINIUM



STRONG STRUCTURE



CAN SUPPORT ALL CAR MODELS



# ALUMINIUM



ROOF TENT RACK **HR159**

# EXTENSION KIT

## WARRIOR SERIES ROLL BAR

- MADE FROM HIGH QUALITY 3MM. STEEL PLATE
- CAN BE INSTALLED WITH WARRIOR SERIES ROLL BAR
- STRONG STRUCTURE TO SUPPORT HEAVY-DUTY USE





# ROGUE

SYNTHETIC ROPE

10000 LBS / 12000 LBS



## WHAT'S IN THE BOX

HA309

1. SYNTHETIC ROPE WINCH
2. WINCH CONTROL BOX
3. FAIRLEAD WINCH
4. WINCH HOOK
5. REMOTE CONTROLLER
6. WIRELESS REMOTE CONTROL
7. WINCH POWER SWITCH



HM404

# CAMPING CHAIR

SIZE CHAIR : 105X97 CM.



COLOR  
BLACK AND GREY

PACKAGE INCLUDES  
1X CHAIR  
1 X CARRY BAG

FUNCTION



ZIPLOCK COOLER BAG



ALUMINUM  
LIGHT WEIGHT RUST RESISTANT



MAXIMUM  
WEIGHT 150 KG.





# VERTICAL

TIRE CARRIER



# HAMER

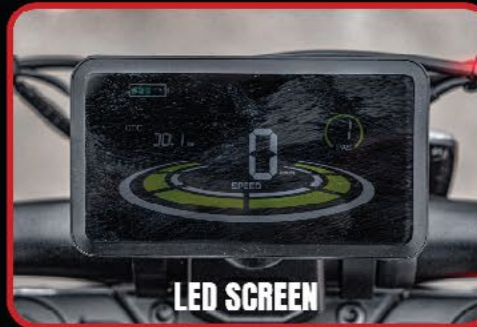
# TIRE RACK



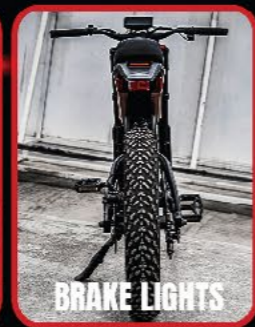
# HA331 HAMER E-BIKE



**750 W** **140 KG** **45 KM/H**



LED SCREEN



BRAKE LIGHTS

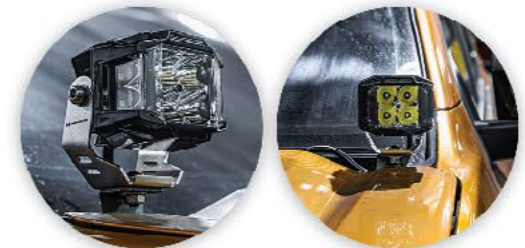


LED HEADLIGHT

# FIND YOUR LIFE STYLE



## HA302 HAMER COWL BRACKETS



## HA319 HAMER KEY CASE

FOR FORD RANGER RAPTOR NEXT-GEN 2022-PRESENT



MADE FROM HIGH QUALITY ALUMINIUM





# HAMER MATTING



AVAILABLE FOR MULTIPLE MODELS  
(EXCEPT FORD RANGER RAPTOR NEXT-GEN 2022)

# HAMER SHOCK LIFT

PERFORMANCE ABSORB SYSTEM



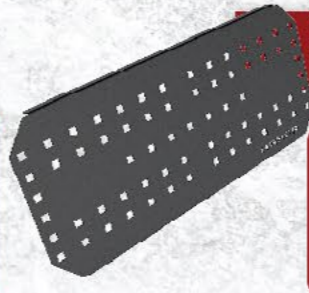
## TAILGATE SHOCK ABSORBER TAILGATE LIFT

- SAFELY CONTROL THE DROP RATE OF YOUR TAILGATE
- EASY TO INSTALL WITHOUT DRILLING THE CAR

# GLADIATOR ROOF TENT RACK ACCESSORIES



**TOOL BOX**  
FOR GLADIATOR ROOF TENT RACK

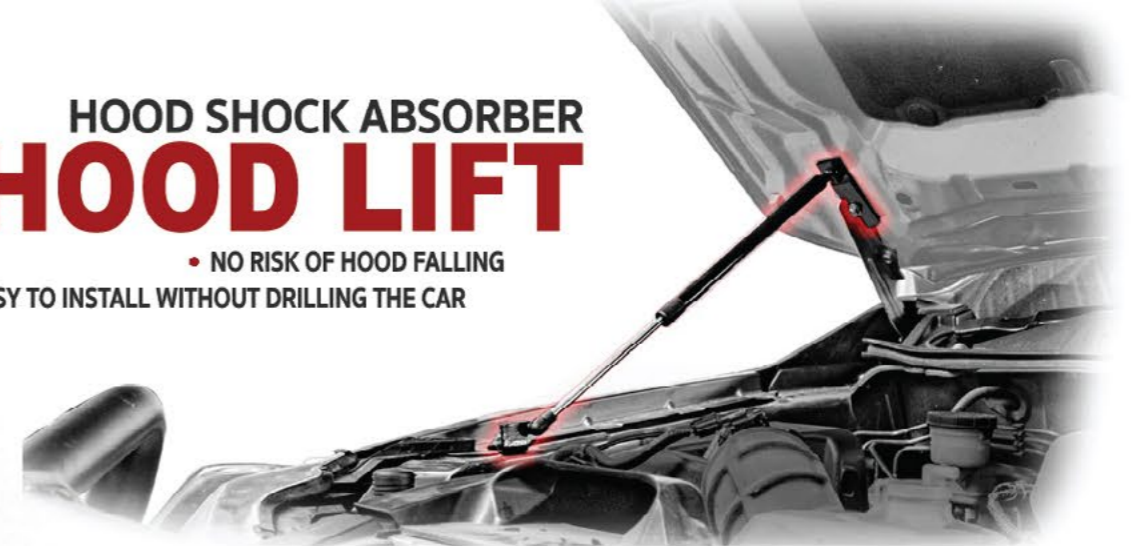


**STEEL PLATE**  
FOR GLADIATOR ROOF TENT RACK



## HOOD SHOCK ABSORBER HOOD LIFT

- NO RISK OF HOOD FALLING
- EASY TO INSTALL WITHOUT DRILLING THE CAR



### PINTLE HOOK



### TRAILER BALL



### LICENSE PLATE HOLDER



### TRAILER HITCH BALL



### RECOVERY POINT



### TAILGATE LOCK







# HAMER COMPATIBILITY 2024





**HEART OF STEEL**  
f i y HAMER4X4