

TOYOTA

4X4 ACCESSORIES



WWW.HAMER4X4.COM.AU





HILUX VIGO TIGER/ 1997-2005

4X4 ACCESSORIES

LIVING LEGEND

KING SERIES BULL BAR

AM106-TG97



SUPPORT HAMER OMEGA SHACKLES

STEEL PLATE 3MM.

LED FOG LIGHT / TURN SIGNAL DAY TIME RUNNING LIGHT

WELCOME TO THE EPITOME OF OFF-ROAD EXCELLENCE—THE SIGNATURE KING SERIES BULL BAR THAT HAS SOLIDIFIED OUR BRAND'S REPUTATION, RENOWNED AND UNRIVALED, THIS BULL BAR STANDS AS A TRUE ICON IN THE MARKET, INSTANTLY RECOGNIZABLE AND UNMATCHED BY ANY OTHER. ITS DESIGN IS A MASTERPIECE—AN EDGY, TIMELESS CREATION THAT SEAMLESSLY BLENDS MODERN AESTHETICS WITH A TOUCH OF AGGRESSIVE ALLURE. DESIGNED AND ENGINEERED TO MEET ADR (AUSTRALIAN DESIGN RULES) STANDARDS, OUR BULL BAR ENSURES BOTH SAFETY AND COMPLIANCE.

AVAILABLE FOR HILUX TIGER (1997-2005)



AM106-TG97

KING SERIES BULL BAR



MX204-TG97

NOVA-SERIES REAR BAR



HR1801-TG97

TITANIUM SERIES ROLL BAR

AM106-VG12

HILUX VIGO CHAMP / 2012-2014

4X4 ACCESSORIES



AVAILABLE FOR HILUX VIGO CHAMP (12-14)

AM106-VG12

KING SERIES BULL BAR



SUPPORT HAMER OMEGA SHACKLES

STEEL PLATE 3MM.

LED FOG LIGHT / TURN SIGNAL DAY TIME RUNNING LIGHT



PREMIUM SERIES ROLL BAR HR1602-VG12



NOVA-SERIES REAR BUMPER MX204-VG12

HILUX REVO

2015-2017 / 2020+

HILUX REVO ROCCO

2018-2019 / 2020+

4X4 ACCESSORIES





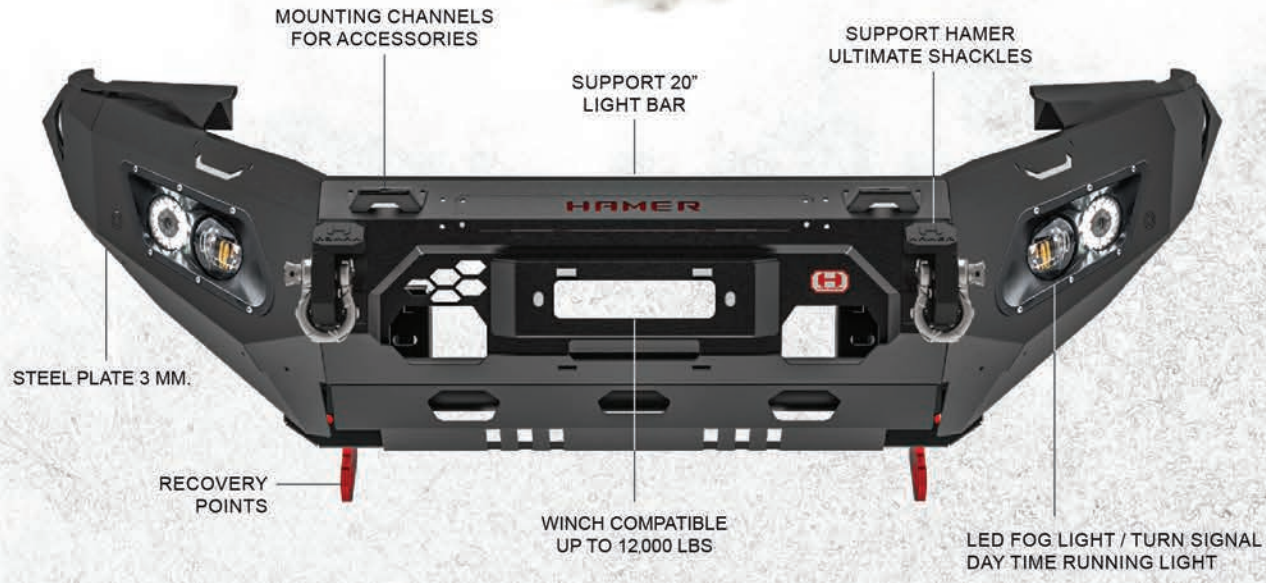
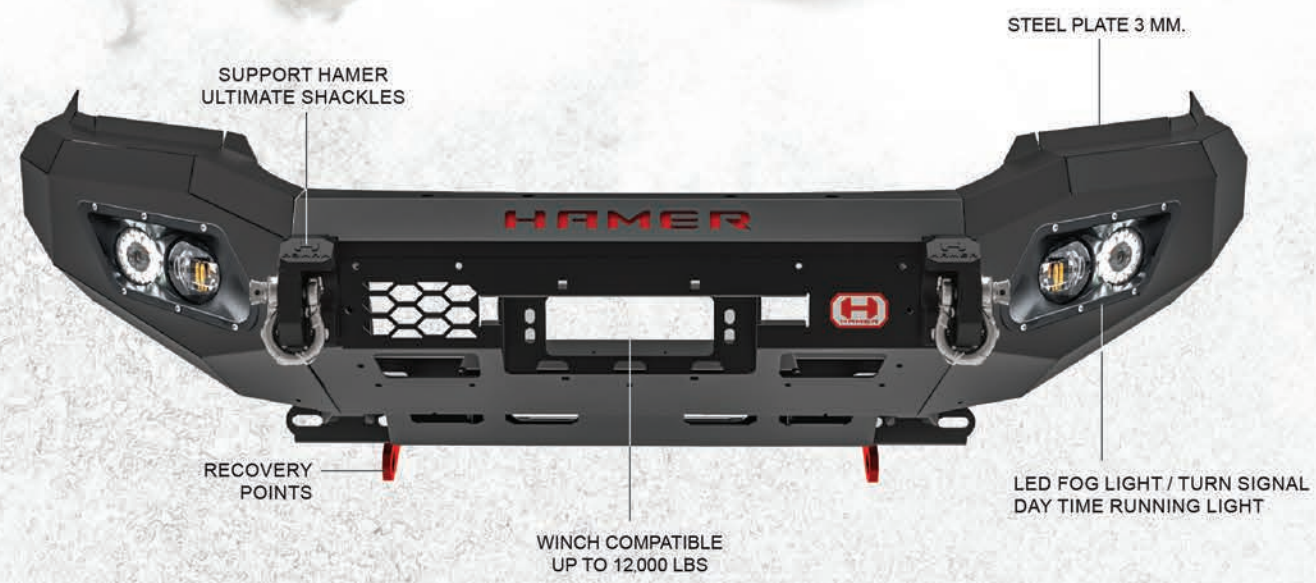
AM106-RE15

KING SERIES BULL BAR



AM106-RC20

KING SERIES BULL BAR












AM106-RC18

KING SERIES BULL BAR



AVAILABLE FOR HILUX REVO & REVO ROCCO (15-17 / 20+)

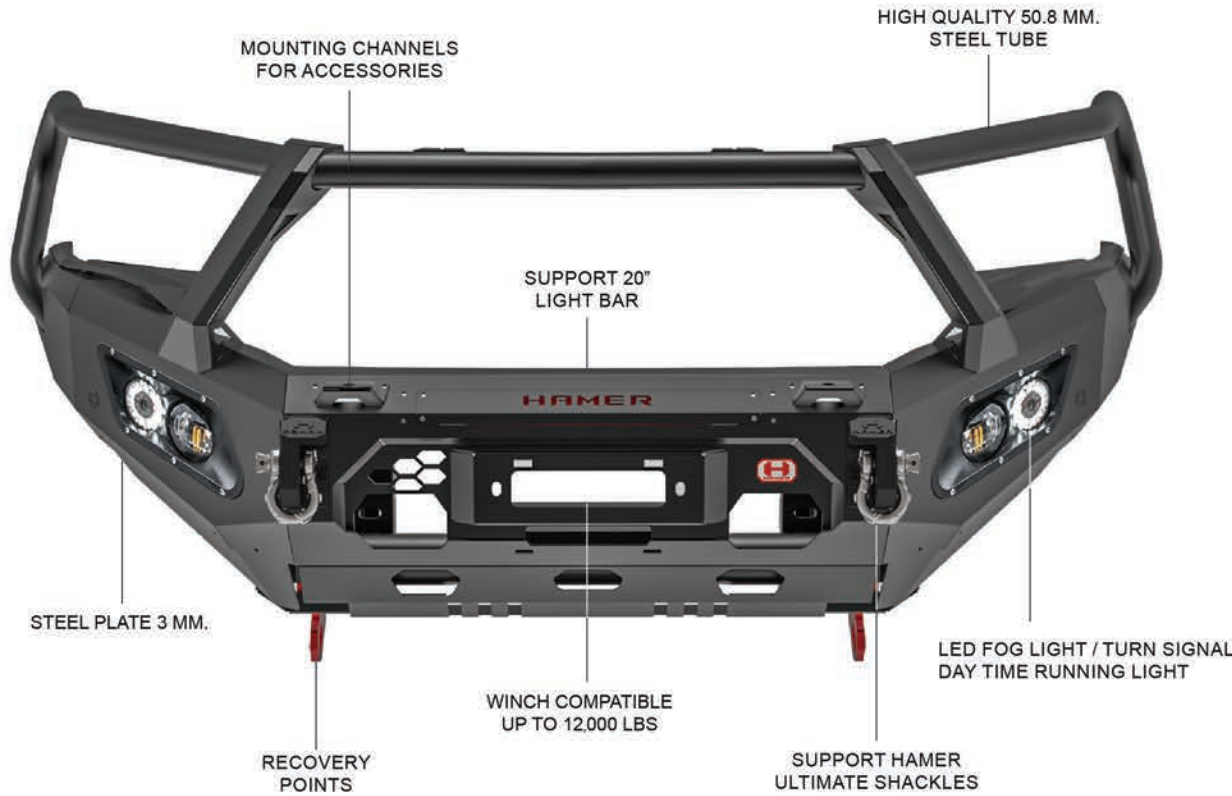


 SUPPORT FACTORY SENSORS	 ACCOMMODATES DRIVING LIGHTS	 DUAL AERIAL PROVISION	 ADR COMPLIANT
 1 YEAR WARRANTY	 HAND CRAFT WORKING	 WINCH COMPATIBLE	 SONAR SYSTEM
			 SUPPORT LED LIGHT BAR

AM106-PT-RC20

KING SERIES PLUS BULL BAR

KING SERIES PLUS IS THE ULTIMATE OFF-ROAD BULL BAR BUILT FOR SPECIALISTS LIKE YOU! EACH LOOP IS STRATEGICALLY PLACED TO ENSURE YOUR VEHICLE IS SHIELDED FROM POTENTIAL IMPACTS AND HAZARDS ENCOUNTERED ON THE ROUGHEST TERRAINS. BE IT NARROW TRAILS, ROCKY PATHS, OR UNFORGIVING OBSTACLES



AVAILABLE FOR HILUX REVO ROCCO (20+)





AM109-RC18

ROYAL SERIES BULL BAR

EXPERIENCE THE NEXT LEVEL OF OFF-ROAD PERFORMANCE WITH OUR ROYAL SERIES BULL BAR. A PERFECT OF FORM AND FUNCTION, ROYAL SERIES BULL BAR IS PACKED WITH OFF ROAD FUNCTIONS LIKE WINCH COMPATIBLE, TRIPLE LOOP FOR EXTRA PROTECTION, INTEGRATED LED LIGHT SYSTEMS. ALL THE FUNCTIONS YOU NEEDS IN A STYLISH PACKAGE. BUILT WITH HIGH QUALITY MATERIAL EUSURE TO PROVIDE YOU THE NECESSARY PROTECTION AND DURABILITY FOR OFF ROAD ADVENTURES



■ AVAILABLE FOR HILUX REVO & REVO ROCCO (15-17 / 20+)

AM111-RC20

ATLAS SERIES BULL BAR

INTRODUCING OUR LATEST ATLAS SERIES BULL BAR, REDEFINING THE CONCEPT OF FUNCTIONALITY AND DESIGN IN ONE REMARKABLE PACKAGE. WITH ITS UNIQUE DESIGN FEATURING INTEGRATED DAYTIME RUNNING LIGHTS AND SEQUENTIAL INDICATORS, THIS BULL BAR IS NOT ONLY OFFER EXCEPTIONAL PERFORMANCE BUT ALSO ADDS A TOUCH OF ELEGANCE TO YOUR OFF ROAD VEHICLE



AVAILABLE FOR HILUX REVO & REVO ROCCO (20+)



IGNITE YOUR SPIRIT,
EXPLORE THE
EXTRAORDINARY.

AM103-RE15

TYPHOON NUDGE BAR

A STYLISH AND PRACTICAL SOLUTION FOR ENHANCING YOUR VEHICLE'S LOOK AND PROTECTION. DESIGNED SPECIFICALLY FOR THOSE WHO WANT TO UPGRADE THEIR LC300 WITHOUT REMOVING THE ORIGINAL BUMPER.





MX204

NOVA-SERIES REAR BUMPER

DESIGNED AND ENGINEERED TO MEET ADR (AUSTRALIAN DESIGN RULES) STANDARDS, OUR REAR BUMPER ENSURES BOTH SAFETY AND COMPLIANCE. YOU CAN HIT THE TRAILS WITH CONFIDENCE, KNOWING THAT YOUR VEHICLE IS EQUIPPED WITH A BUMPER THAT MEETS STRINGENT QUALITY AND PERFORMANCE REQUIREMENTS.



SUPPORT TRAILER BALL

■ AVAILABLE FOR HILUX REVO & REVO ROCCO (15-17 / 20+)

HR161-RC20

HAMER FLAT RACK

- LOW PROFILE AND LIGHT WEIGHT DESIGN
- MADE FROM HIGH QUALITY EXTRUDED ALUMINIUM
- PROVIDE PERSONALISATION AND FLEXIBILITY FOR YOUR EXTRA STORAGE
- MOUNTING CHANNELS ARE AVAILABLE ON BOTH BEAMS AND SIDE RAILS
- WIND DEFLECTOR ARE INCLUDED



CONQUER THE DARKNESS

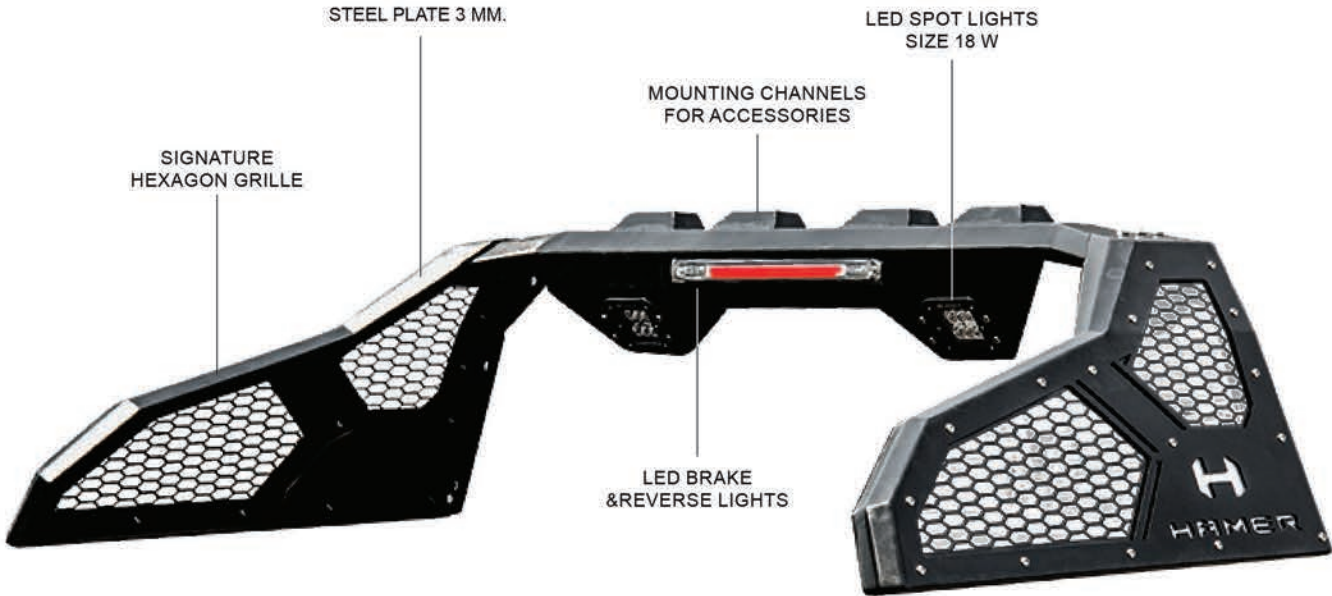


AVAILABLE FOR HILUX REVO & REVO ROCCO (15-17 / 20+)

HR1902-RC20

WARRIOR SERIES ROLL BAR

INTRODUCING THE UNIQUE DESIGN WARRIOR SERIES ROLL BAR, CRAFTED TO THE HIGHEST STANDARDS OF QUALITY! BUILT WITH METICULOUS ATTENTION TO DEATIL, THE WARRIOR SERIES ROLL BAR IS MADE FROM 3MM HIGH QUALITY STEEL SHEET PROVIDING STRONG STRUCTURE FOR THE TOUGHEST CHALLENGES.



THE WARRIOR SERIES ROLL BAR COMES WITH INTEGRATED THIRD BRAKE LIGHT AND SPOT LIGHT, FOR CARGO BAY COMBINING SAFTY AND FUNCTIONALITY IN ONE PACKAGE.

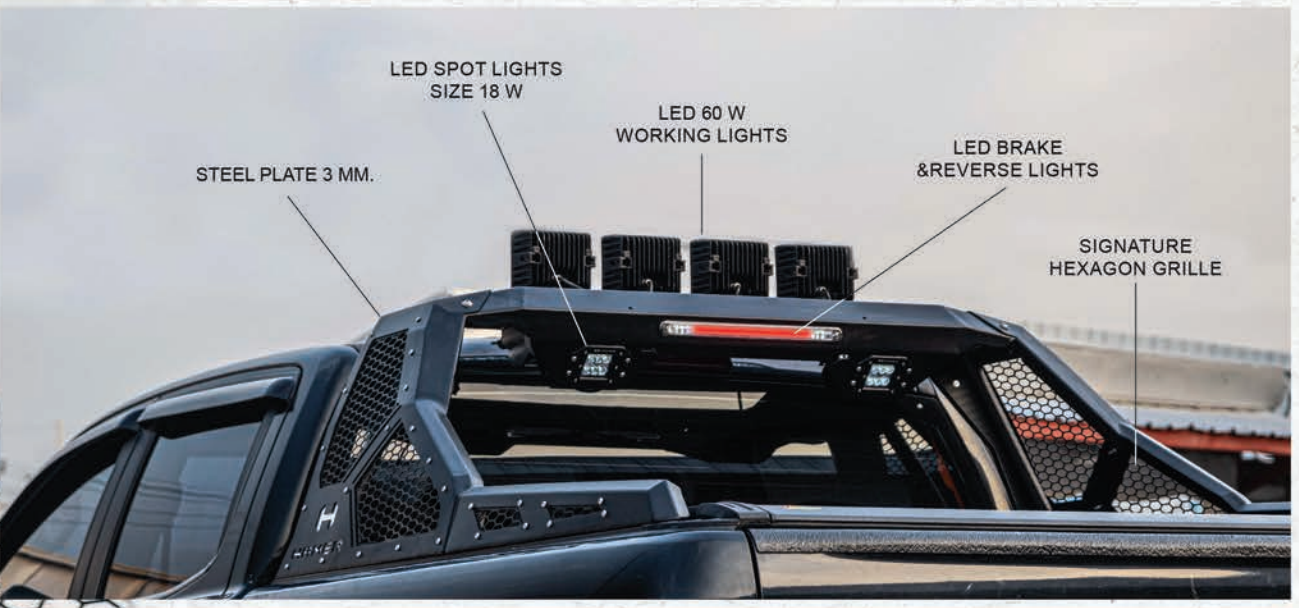
AVAILABLE FOR HILUX REVO & REVO ROCCO (15-17 / 20+)



HR1902-P-F

WARRIOR PLUS SERIES ROLL BAR

WARRIOR PLUS ROLL BAR OFFER AN ENHANCED FUNCTIONALITY TO YOUR ROLL BAR. WITH INTEGRATED 4 POWERFUL LED WORK LIGHT ILLUMINATING THE SURROUNDING AREAS IN LOW LIGHT CONDITIONS. COMES WITH AN AUTOMATIC OPERATING FUNCTION, ELIMINATED THE HASSLE OF MANUAL ADJUSTING THE LIGHTS



LED SPOT LIGHTS SIZE 18 W

LED 60 W WORKING LIGHTS

LED BRAKE & REVERSE LIGHTS

SIGNATURE HEXAGON GRILLE

STEEL PLATE 3 MM.

AUTOMATIC OPERATION



AVAILABLE FOR HILUX REVO & REVO ROCCO (15-17 / 20+)

HR2000-F

NIGHT FURY SERIES ROLL BAR

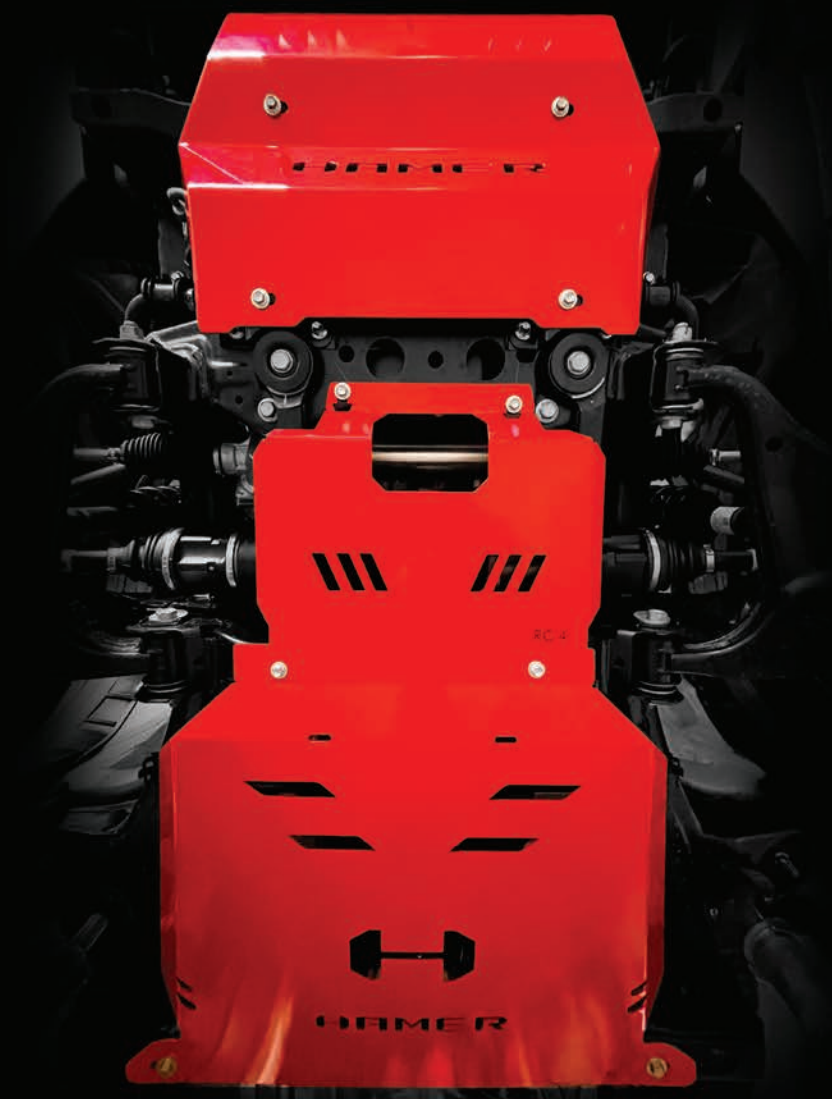
INTRODUCING THE NIGHT FURY ROLL BAR: BUILT TO STAND OUT FROM THE CROWD. CRAFTED WITH METICULOUS ATTENTION TO DETAIL, THIS EXCEPTIONAL ROLL BAR COMBINES STRIKING AESTHETICS WITH RUGGED FUNCTIONALITY. CONSTRUCTED USING PREMIUM SHEET STEEL AND STEEL TUBE, IT NOT ONLY ADDS A TOUCH OF STYLE TO YOUR VEHICLE BUT ALSO OFFERS ENHANCED PROTECTION AND DURABILITY ON YOUR OFF-ROAD ADVENTURES. AS NIGHT FALLS, A CAPTIVATING SURPRISE AWAITS. WITH AN INGENUOUS DESIGN, THE ROLL BAR FEATURES A BUILT-IN LIGHT-UP LOGO ON THE SIDE, ILLUMINATING YOUR JOURNEY WITH A UNIQUE AND EYE-CATCHING GLOW



AVAILABLE FOR HILUX REVO & REVO ROCCO (15-17 / 2020)



H001
UNDER VEHICLE
PROTECTION PLATES



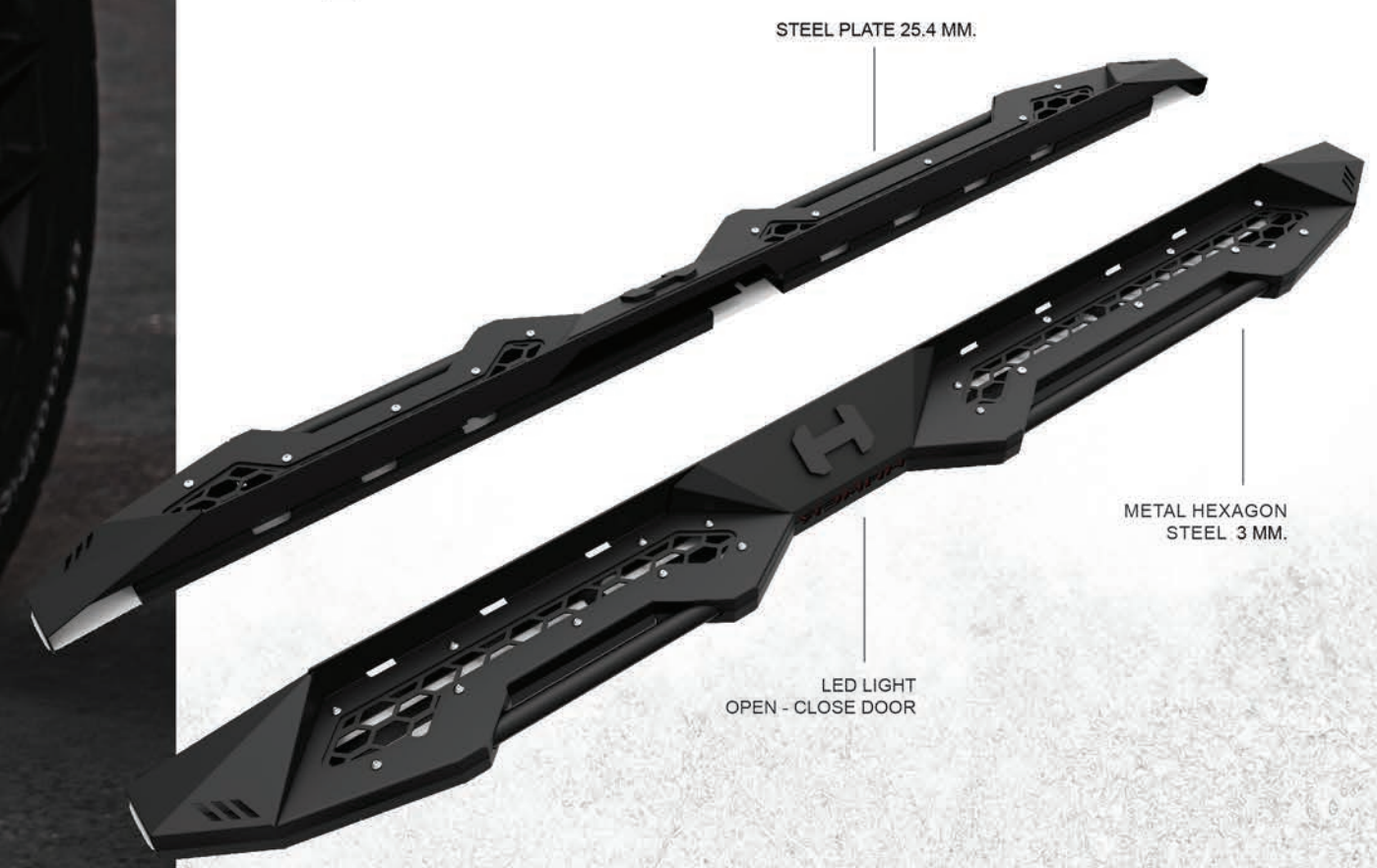
THE PROTECTIVE BASH PLATE IS UNIQUELY DESIGNED WITH 6 MM. THICKNESS TO PROTECT YOUR VEHICLE WITH CONFIDENCE.

■ AVAILABLE FOR HILUX REVO & REVO ROCCO (15-17 / 20+)

SM105-RE15

SHADOW SIDE STEPS

HAMER SIDE STEPS ARE DESIGNED TO PROVIDE EASY ACCESS TO A LIFTED OFF-ROAD VEHICLE WHILE OFFERING PROTECTION TO THE VEHICLE'S SIDES AND UNDERCARRIAGE.



- CONSTRUCTED FROM 3 MM. STEEL PLATE
- BODY MOUNTING BRACKETS
- MATTE BLACK POWDER COATED FINISH
- LED ILLUMINATION LIGHTS INCORPORATED

FJ CRUISER

2006-2010

4X4 ACCESSORIES



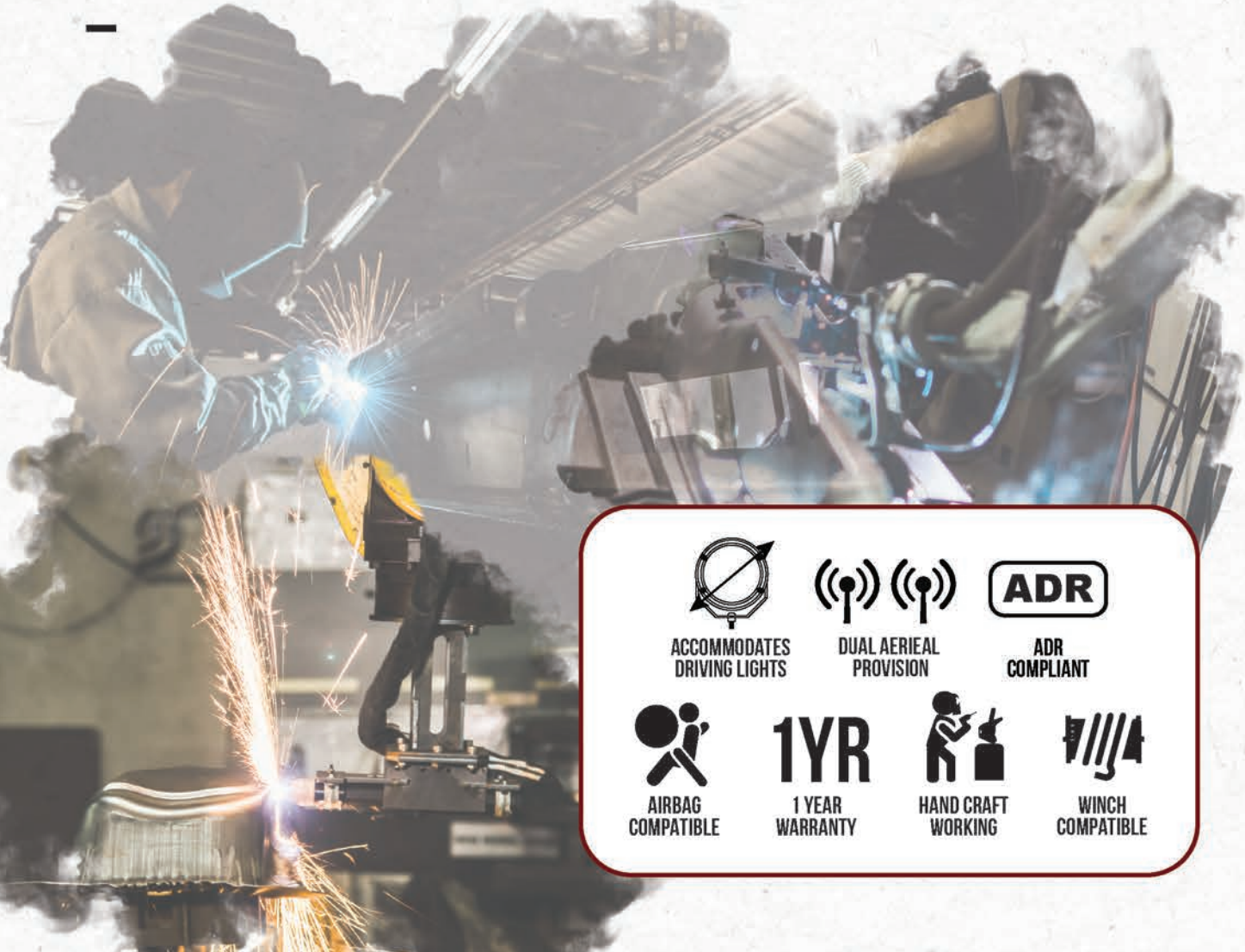









**PUSH
BOUNDARIES,
GO BEYOND**

AM106-FJ06

KING SERIES BULL BAR

INTRODUCING OUR SIGNATURE BULL BAR SPECIFICALLY DESIGNED FOR THE FJ CRUISER. THIS EXCEPTIONAL BULL BAR IS METICULOUSLY CRAFTED TO COMPLY WITH ADR STANDARDS ENSURING THE HIGHEST LEVELS OF SAFETY AND PERFORMANCE. PACKED WITH IMPRESSIVE FEATURES THIS SIGNATURE BULL BAR ELEVATES YOUR OFF-ROAD EXPERIENCE. IT PROVIDES IMPROVED GROUND CLEARANCE ALLOWING YOU TO NAVIGATE ROUGH TERRAINS WITH EASE. WITH WINCH COMPATIBILITY YOU CAN SAFELY RECOVER YOUR VEHICLE OR ASSIST OTHERS DURING CHALLENGING SITUATIONS.



 ACCOMMODATES DRIVING LIGHTS	 DUAL AERIAL PROVISION	 ADR COMPLIANT
 AIRBAG COMPATIBLE	 1 YEAR WARRANTY	 HAND CRAFT WORKING
		 WINCH COMPATIBLE



WHETHER YOU'RE EMBARKING ON AN OFF-ROAD ADVENTURE OR SIMPLY CRUISING THROUGH THE CITY OUR SIGNATURE BULL BAR FOR THE FJ CRUISER IS THE PERFECT COMBINATION OF FUNCTIONALITY AND AESTHETICS. IT NOT ONLY PROVIDES ADDED PROTECTION BUT ALSO GIVES YOUR VEHICLE A DISTINCTIVE LOOK THAT COMMANDS ATTENTION



AM106-PT-FJ06

KING SERIES PLUS BULL BAR

OUR KING SERIES PLUS BULL BAR TAKES THE OFF-ROAD EXPERIENCE TO A WHOLE NEW LEVEL. FEATURING THE ADDITION OF A TRIPLE LOOP DESIGN THIS SERIES NOT ONLY PROVIDES ENHANCED PROTECTION TO YOUR VEHICLE BUT ALSO UNLEASHES A WORLD OF ACCESSORY POSSIBILITIES. THE TRIPLE LOOP DESIGN ADDS AN EXTRA LAYER OF DEFENSE TO YOUR VEHICLE SAFEGUARDING IT AGAINST IMPACTS AND OBSTACLES ENCOUNTERED ON RUGGED TRAILS.



BEYOND ITS PROTECTIVE FUNCTION, THE TRIPLE LOOP ALSO SERVES AS A VERSATILE MOUNTING POINT FOR AN ARRAY OF ACCESSORIES. EASILY ATTACH ANTENNAS, FLAGS, POLES, AND ADDITIONAL LIGHTS TO ENHANCE YOUR OFF-ROAD CAPABILITIES AND PERSONALIZE YOUR ADVENTURE SETUP

AM107-FJ06

PRIME SERIES BULL BAR

FOCUSING ON MAXIMIZING GROUND CLEARANCE, OUR PRIME SERIES BULL BAR BOASTS A SLEEK AND SLIM PROFILE THAT SETS IT APART FROM THE REST. DESIGNED WITH A KEEN EYE FOR AESTHETICS AND FUNCTIONALITY, OUR SLIM DESIGN BULL BAR OFFERS A PERFECT BALANCE BETWEEN STYLE AND PRACTICALITY. IT COMPLEMENTS YOUR VEHICLE'S EXTERIOR WHILE PROVIDING SUPERIOR PROTECTION AGAINST UNEXPECTED OBSTACLES ENCOUNTERED DURING YOUR OFF-ROAD ADVENTURES.



4X4
HAMER

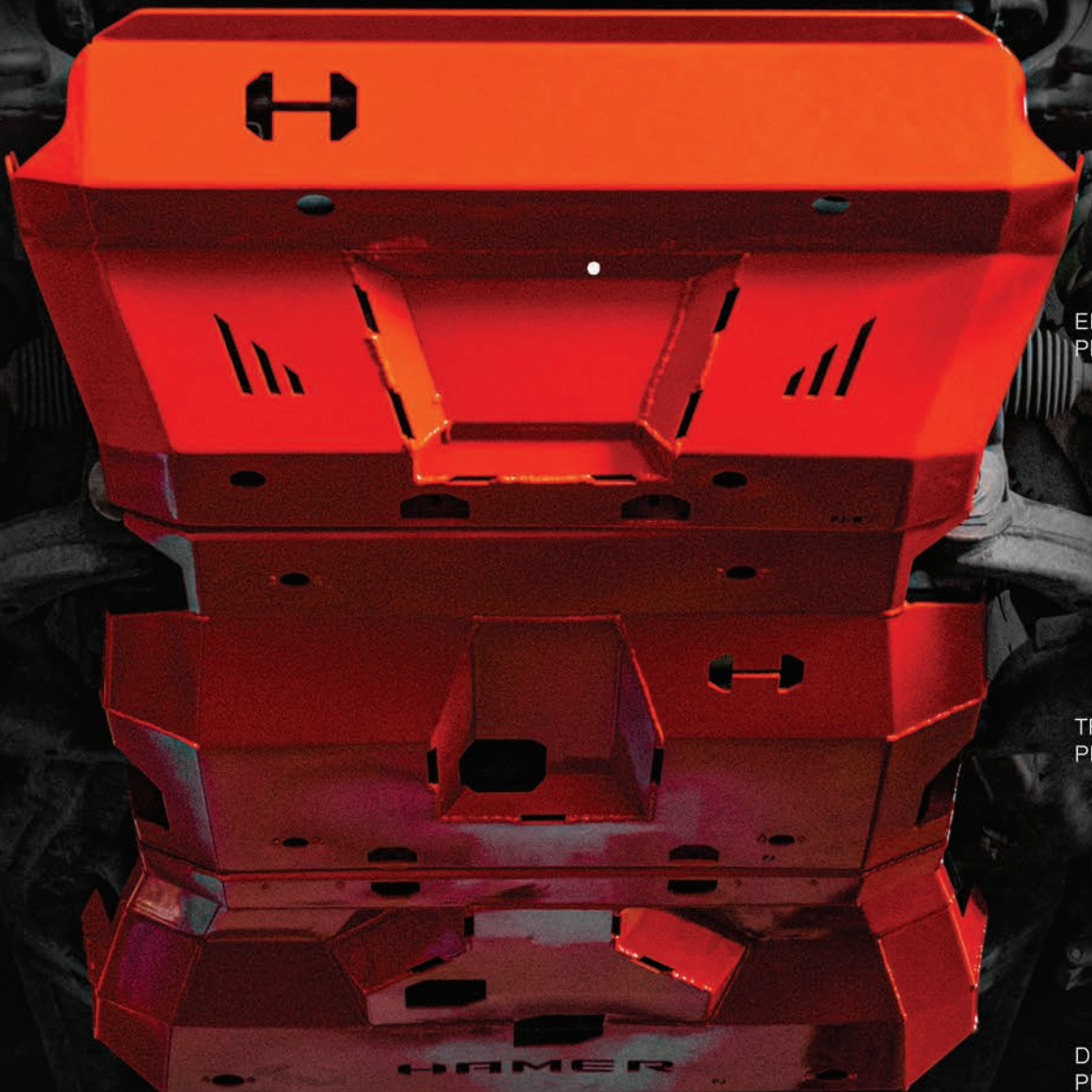


THE ULTIMATE
OFF ROAD THRILLS
😊

H001-FJ06

UNDER VEHICLE PROTECTION PLATES

THE PROTECTIVE SKID PLATE IS UNIQUELY DESIGNED WITH 3MM THICKNESS TO PROTECT YOUR VEHICLE WITH CONFIDENCE.



1

ENGINE RANGE PROTECTION

2

TRANSMISSION RANGE PROTECTION

3

DRIVE SHAFT PROTECTION

66

SKID PLATES PROVIDE A PROTECTIVE BARRIER FOR VITAL COMPONENTS LOCATED UNDERNEATH THE VEHICLE SUCH AS THE ENGINE, TRANSMISSION, FUEL TANK AND DIFFERENTIAL. THEY SHIELD THESE VULNERABLE PARTS FROM ROCKS, DEBRIS, BRANCHES AND OTHER OBSTACLES ENCOUNTERED OFF-ROAD, MINIMIZING THE RISK OF DAMAGE OR PUNCTURE.

66



HR157-FJ06

ALPHA ROOF RACK

WHETHER YOU'RE EMBARKING ON A WEEKEND GETAWAY OR A LONG-HAUL EXPEDITION OUR ALPHA ROOF RACK ENSURES YOU NEVER HAVE TO LEAVE ANYTHING BEHIND. WITH AMPLE STORAGE CAPACITY, YOU CAN EASILY TRANSPORT EXTRA GEAR, LUGGAGE CAMPING EQUIPMENT, AND MORE, ALLOWING YOU TO MAKE THE MOST OUT OF YOUR ADVENTURE. THE UNIVERSAL MOUNTING SLOTS PROVIDE ENDLESS POSSIBILITIES FOR SECURING YOUR LOAD AND ATTACHING ACCESSORIES. WHETHER IT'S ROOFTOP TENTS AWNINGS, LIGHT BARS OR ANYTHING ELSE YOU NEED, OUR ROOF RACK CAN ACCOMMODATE THEM ALL ENHANCING YOUR OFF-ROAD CAPABILITIES AND CREATING A PERSONALIZED SETUP.



THE INCLUDED WIND DEFLECTOR NOT ONLY REDUCES WIND NOISE AND IMPROVES AERODYNAMICS BUT ALSO PROTECTS YOUR CARGO FROM UNWANTED ELEMENTS. IT ENSURES A SMOOTH AND QUIET RIDE, ALLOWING YOU TO FOCUS ON THE THRILL OF YOUR OFF-ROAD JOURNEY.

BE PART OF
THE ADVENTURE



MX209-FJ06

HAMER REAR BAR

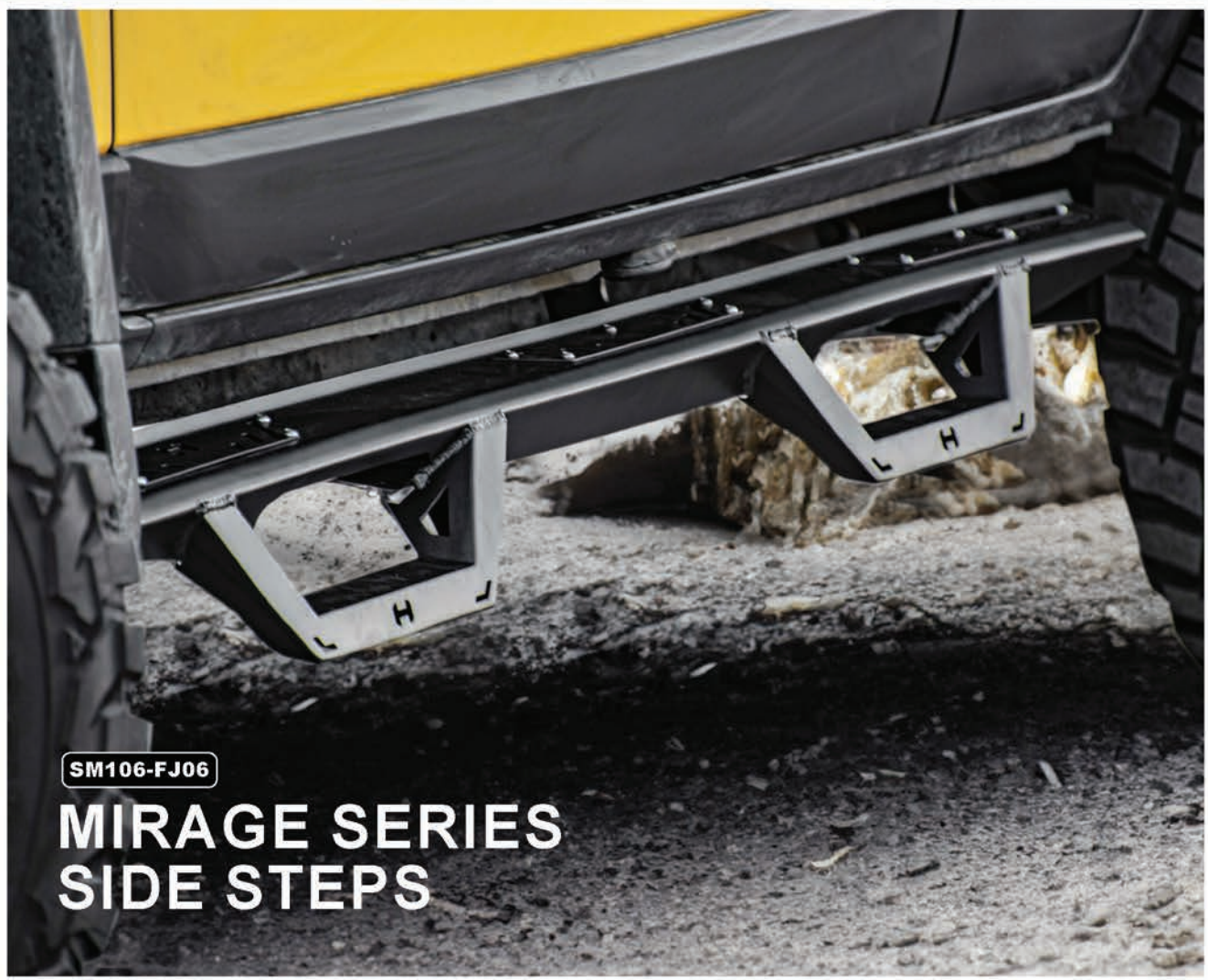
HAMER REAR BAR IS ARE DESIGNED AND STYLED TO FIT PERFECTLY AND SEAMLESSLY TO YOUR FJ CRUISER. WE DESIGN OUR REAR BAR TO IMPROVE YOUR VEHICLE'S LOOK AND ADD A RUGGED AND AGGRESSIVE APPEARANCE.



HAMER REAR BAR OFFER A STRONG BARRIER BETWEEN THE VEHICLE'S BODY AND THE EXTERNAL ENVIRONMENT. HAMER REAR BAR ARE CONSTRUCTED USING HEAVY DUTY HIGH QUALITY GRADE STEEL OR ALUMINUM. TO WITHSTAND IMPACTS, VIBRATION AND HARSH OFF-ROAD CONDITIONS PROVIDING ENHANCED DURABILITY AND LONGEVITY.

HAMER SIDE STEPS

HAMER SIDE STEPS ARE DESIGNED TO PROVIDE EASY ACCESS TO A LIFTED OFF-ROAD VEHICLE WHILE OFFERING PROTECTION TO THE VEHICLE'S SIDES AND UNDERCARRIAGE.



SM106-FJ06

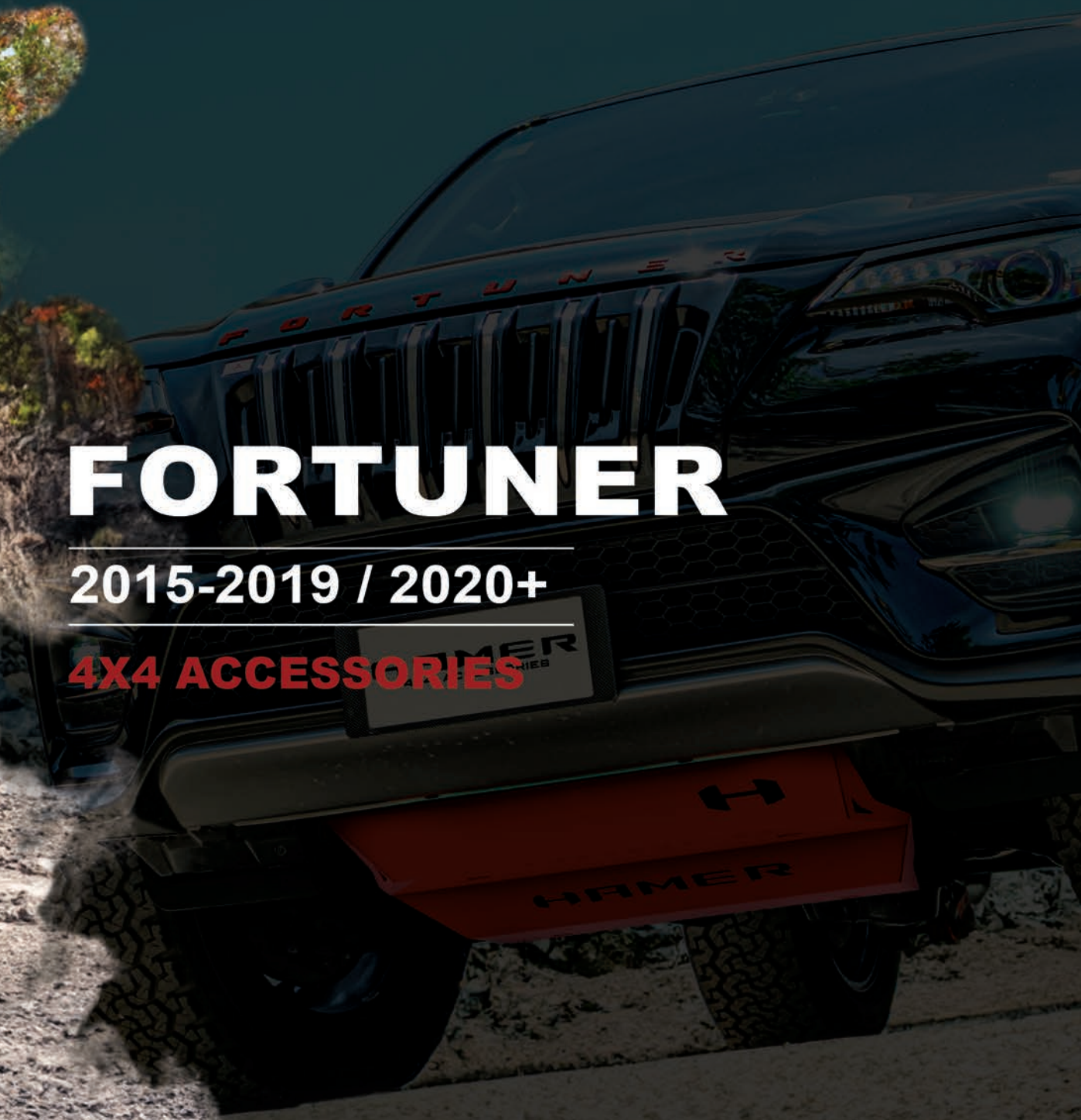
MIRAGE SERIES SIDE STEPS



SM103-FJ06

ROCK SLIDER

TO PROVIDE TRACTION AND PREVENT SLIPPING, HAMER ROCKSLIDER FEATURE A NON-SLIP SURFACE. THIS ENSURES A SECURE FOOTING EVEN IN WET OR MUDDY CONDITIONS, ALLOWING PASSENGERS TO SAFELY ENTER OR EXIT THE VEHICLE.



FORTUNER

2015-2019 / 2020+

4X4 ACCESSORIES

LAND CRUISER LC79

4X4 ACCESSORIES





*IGNITE
YOUR SPIRIT.*



AVAILABLE FOR LAND CRUISER LC79

AM106-LC79

KING SERIES BULL BAR

INTRODUCING OUR SIGNATURE SERIES ROAD BULL BAR, METICULOUSLY CRAFTED WITH THE FINEST QUALITY STEEL. THIS EXCEPTIONAL BULL BAR COMBINES STRENGTH, STYLE AND FUNCTIONALITY, SETTING A NEW STANDARD IN ROAD PROTECTION. WITH ITS BUILT-IN LED DAYTIME RUNNING LIGHTS, INDICATORS, AND FOG LIGHTS OUR SIGNATURE SERIES BULL BAR ENSURES OPTIMAL VISIBILITY AND SAFETY ON THE ROAD. PLUS, ITS WINCH COMPATIBILITY ALLOWS YOU TO TACKLE CHALLENGING TERRAINS WITH EASE. DESIGNED AND ENGINEERED TO MEET ADR (AUSTRALIAN DESIGN RULES) STANDARDS OUR BULL BAR ENSURES BOTH SAFETY AND COMPLIANCE.

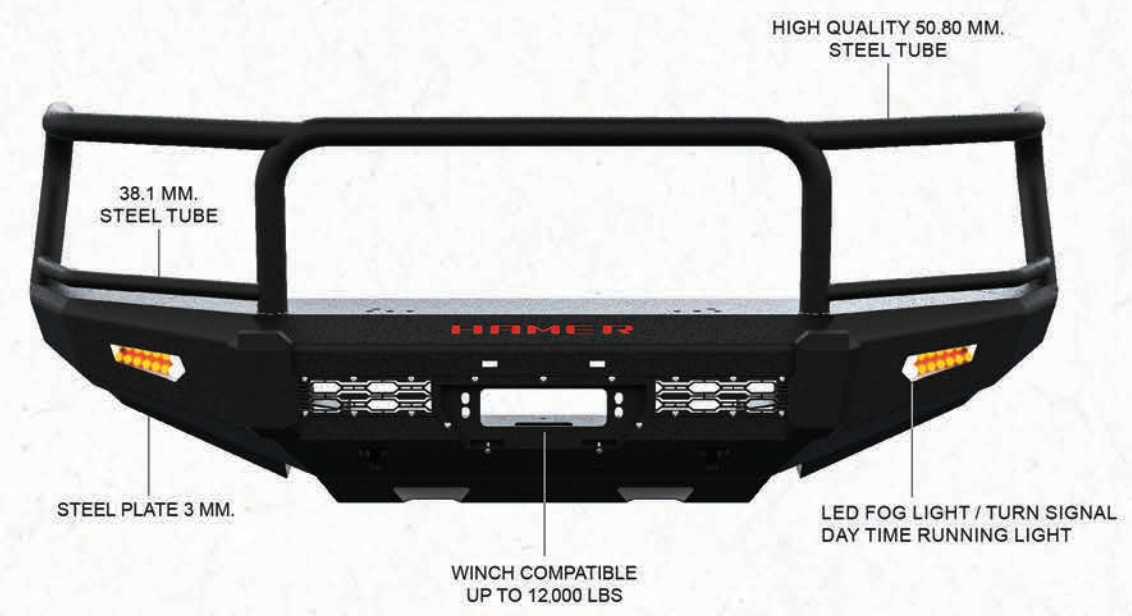




AM114-PT-LC79

CLASSIC SERIES PLUS BULL BAR

INTRODUCING THE NEW CLASSIC SERIES OFF-ROAD BULL BAR FOR THE LC79: ELEVATING THE AUTHENTICITY AND NOSTALGIA OF THIS ICONIC VEHICLE. DESIGNED TO AMPLIFY THE TIMELESS CLASSIC DESIGN, THIS BULL BAR EMBODIES THE PERFECT BALANCE OF STYLE AND FUNCTIONALITY. ENGINEERED WITH A TRIPLE LOOP DESIGN, IT NOT ONLY ENHANCES THE LC79'S APPEARANCE BUT ALSO PROVIDES OPTIMAL PROTECTION FOR YOUR VEHICLE.

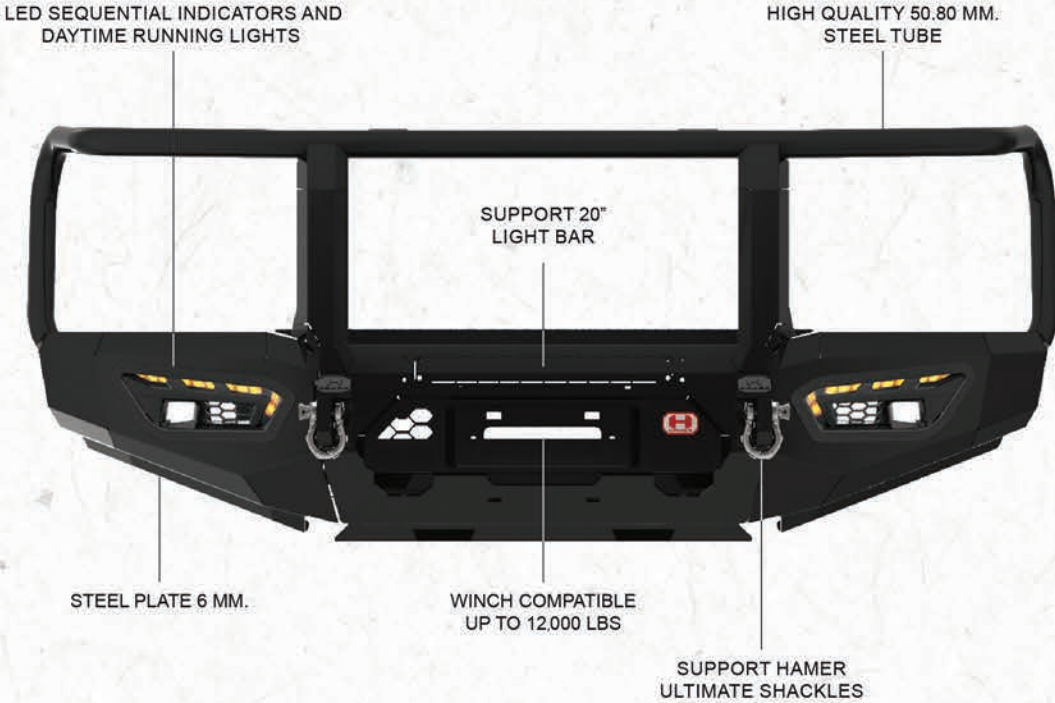


THE FUNCTIONALITY DOESN'T STOP THERE. THIS BULL BAR IS EQUIPPED WITH INTEGRATED FOG LIGHTS AND INDICATORS ENSURING ENHANCED VISIBILITY IN ADVERSE WEATHER CONDITIONS. WHETHER YOU'RE NAVIGATING THROUGH THICK FOG OR SIGNALING YOUR PRESENCE ON THE ROAD, THESE LIGHTS ARE DESIGNED TO KEEP YOU SAFE AND VISIBLE. IN ADDITION, THIS BULL BAR IS WINCH COMPATIBLE ENABLING YOU TO TACKLE THE MOST DEMANDING OFF-ROAD SITUATIONS WITH EASE. ITS RUGGED CONSTRUCTION AND REINFORCED MOUNTING POINTS MAKE IT A PERFECT COMPANION FOR RECOVERY OPERATIONS, PROVIDING THE NECESSARY SUPPORT AND STABILITY WHEN YOU NEED IT MOST.

AM111-PT-LC79

ATLAS SERIES PLUS BULL BAR

CRAFTED WITH METICULOUS ATTENTION TO DETAIL, THIS BULL BAR EMBRACES THE LC79'S RUGGED HERITAGE WHILE INFUSING IT WITH MODERN FEATURES. INTEGRATING OUR UNIQUE PATENTED LED DRL, SEQUENTIAL INDICATORS AND FOG LIGHT, IT SURE TO IMPROVE VEHICLE'S AESTHETIC AND FUNCTIONALITY.



THE TRIPLE LOOP DESIGN ADDS A DISTINCTIVE TOUCH CAPTURING THE ESSENCE OF ADVENTURE AND RUGGEDNESS THAT THE LC79 REPRESENTS.

AVAILABLE FOR LAND CRUISER LC79



DEFINE YOUR
LEGACY...



MX209-LC79

HAMER REAR BAR

UPGRADE YOUR OFF-ROAD VEHICLE WITH OUR OFF-ROAD REAR BUMPER, WHERE DURABILITY, COMPLIANCE AND FUNCTIONALITY COME TOGETHER. EXPERIENCE PEACE OF MIND KNOWING THAT YOUR VEHICLE IS PROTECTED EQUIPPED WITH INTEGRATED LIGHTING, AND READY FOR TOWING WHEN NEEDED. EMBRACE THE OFF-ROAD LIFESTYLE WITH CONFIDENCE AND STYLE.



■ AVAILABLE FOR LAND CRUISER LC79





SM108-LC79

CHALLENGER ROCK SLIDER

HAMER CHALLENGER ROCK SLIDER OFFER PROTECTION FOR THE VEHICLE'S SIDES AND UNDERCARRIAGE FROM POTENTIAL DAMAGE CAUSED BY ROCKS DEBRIS OR OTHER OBSTACLES ENCOUNTERED DURING OFF ROAD EXCURSIONS. DESIGNED AND ENGINEERED TO BE MOUNTED DIRECTLY TO CHASISALLOW FOR OPTIMAL PERFORMANCE IN ANY CHALLENGING TERRAIN

SM103-LC79

HA325-LC79

SIDE STEPS / SIDE RAIL

STEP UP YOUR ADVENTURES WITH STYLE AND FUNCTIONALITY.



3MM. ANTI SLIP CHEQUER PLATE

STEEL PIPE 50.8 MM.

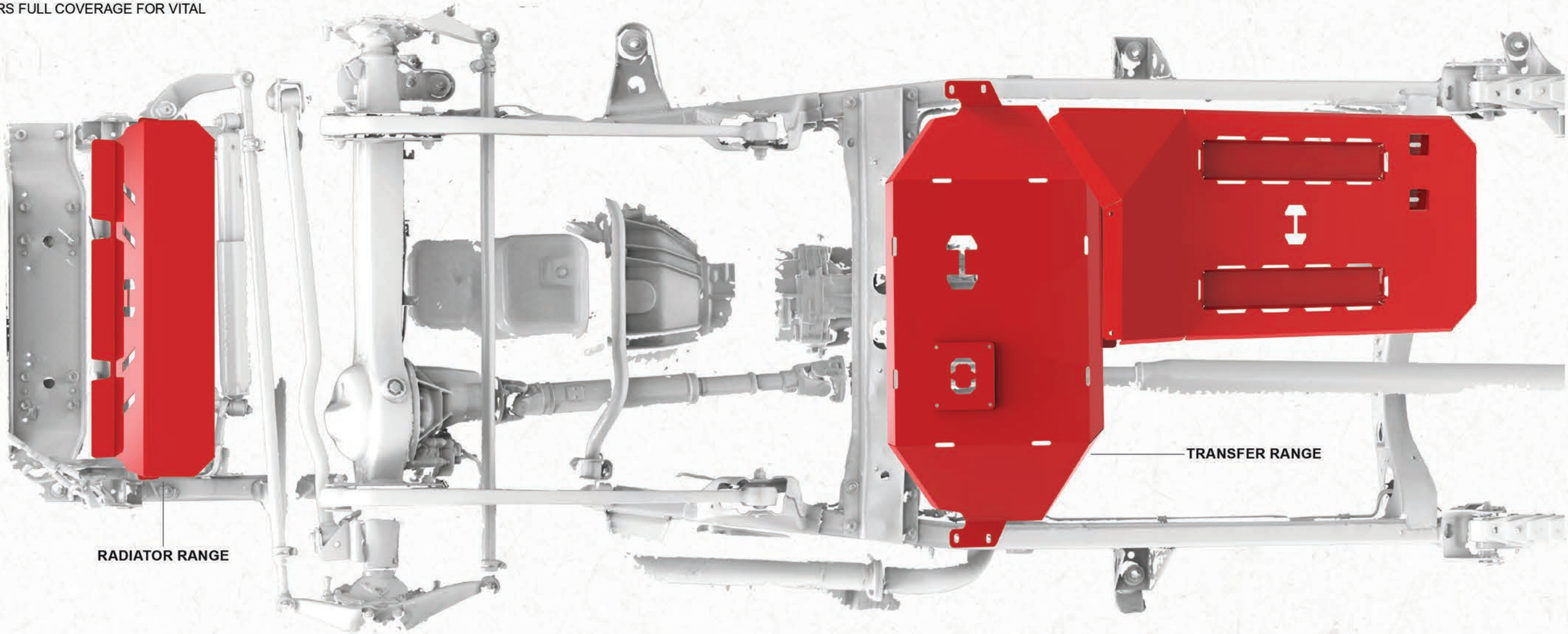


■ PROVIDE ADDITIONAL PROTECTION AGAINST ROCKS, BRUSH, AND OTHER OBSTACLES ENCOUNTERED DURING OFF-ROAD EXPLORATIONS.

H001-LC79

UNDER VEHICLE PROTECTION PLATES

MAXIMUM PROTECTION FOR YOUR OFF-ROAD ADVENTURES. DESIGNED TO SAFEGUARD YOUR ENGINE, TRANSMISSION, DRIVE SHAFT, AND MORE OUR PLATES OFFERS FULL COVERAGE FOR VITAL COMPONENTS



RADIATOR RANGE

TRANSFER RANGE

■ AVAILABLE FOR LAND CRUISER LC79

HR161-LC79

HAMER FLAT RACK

- LOW PROFILE AND LIGHT WEIGHT DESIGN
- MADE FROM HIGH QUALITY EXTRUDED ALUMINIUM
- PROVIDE PERSONALISATION AND FLEXIBILITY FOR YOUR EXTRA STORAGE
- MOUNTING CHANNELS ARE AVAILABLE ON BOTH BEAMS AND SIDE RAILS
- WIND DEFLECTOR ARE INCLUDED



AVAILABLE FOR LAND CRUISER LC79

HT102

HAMER AWNING

DESIGNED FOR THE ULTIMATE OUTDOOR EXPERIENCE, OUR AWNING IS YOUR RELIABLE COMPANION FOR OFF-ROAD ESCAPADES. WHETHER YOU'RE SEEKING SHADE FROM THE SCORCHING SUN OR SHELTER FROM UNEXPECTED RAIN OUR AWNING PROVIDES INSTANT PROTECTION AND COMFORT



CODE	SIZE	COLORS
HT102-1.6-S	160 X 250	SILVER HOUSING, BROWNING CANVAS
HT102-1.6-B	160 X 250	BLACK HOUSING, BLACK CANVAS
HT102-2.0-S	200 X 250	SILVER HOUSING, BROWNING CANVAS
HT102-2.0-B	200 X 250	BLACK HOUSING, BLACK CANVAS



LAND CRUISER 100 SERIES

4X4 ACCESSORIES

ELEVATE YOUR OFF-ROAD EXPERIENCE WITH OUR RANGE OF ACCESSORIES DESIGNED AND ENGINEERED SPECIFICALLY FOR YOUR LC100. FROM OUR RUGGED KING SERIES BULL BAR TO OUR RELIABLE REAR BAR, OUR ACCESSORIES ARE BUILT TO ENHANCE THE FUNCTIONALITY, DURABILITY, AND STYLE OF YOUR VEHICLE. GET READY TO CREATE UNFORGETTABLE MEMORIES WITH YOUR TRUSTY COMPANION ON ALL YOUR OFF-ROAD ADVENTURES



AM106-L1

KING SERIES BULL BAR



AM106-PT-L1

KING SERIES PLUS BULL BAR



MX209-L1

HAMER REAR BAR



MAKING
UNFORGETTABLE
OFF ROAD MEMORIES



LAND CRUISER 200 SERIES

2010-2015 / 2016-2021

4X4 ACCESSORIES





AM106-L216

KING SERIES BULL BAR

AVAILABLE FOR LC200 (10-15) / LC200 (16-21)



ADVENTURE AWAITS..

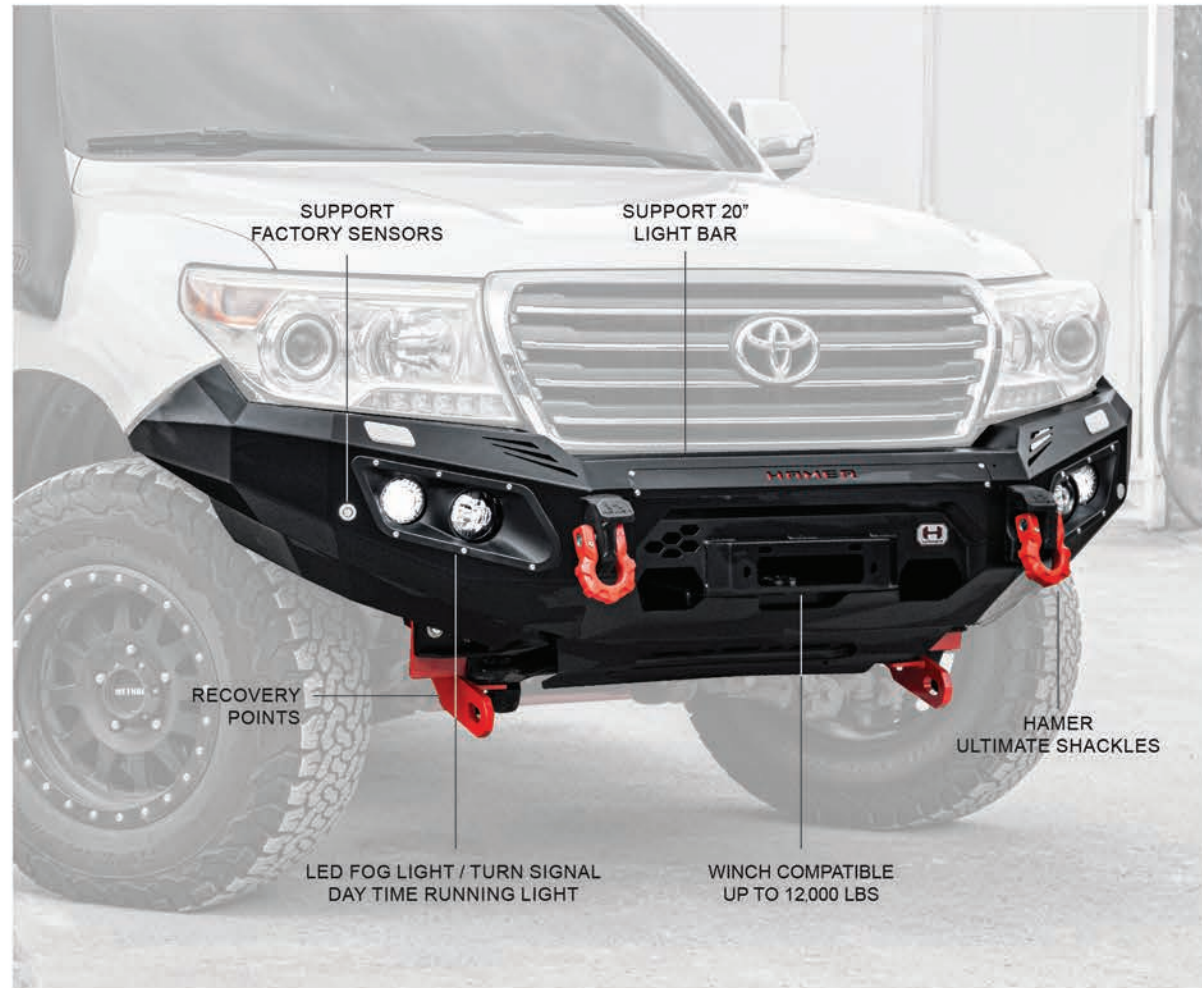
UNLEASH THE SPIRIT OF ADVENTURE



AM106-L210

KING SERIES BULL BAR

INTRODUCING OUR SIGNATURE SERIES BULL BAR: THE ULTIMATE OFF-ROAD COMPANION. DESIGNED FOR THE ADVENTURE SEEKERS, OUR SIGNATURE KING SERIES BULL BAR EMBODIES STRENGTH, FUNCTIONALITY, AND STYLE. BUILT TO WITHSTAND THE TOUGHEST OFF-ROAD CONDITIONS THIS BULL BAR PROVIDES UNMATCHED PROTECTION AND ENHANCED CAPABILITY.



AVAILABLE FOR LC200 (10-15) / LC200 (16-21)





AM106-PT-L210

KING SERIES PLUS BULL BAR

BUILT UPON THE STRENGTH AND FUNCTIONALITY OF OUR KING SERIES BULL BAR THIS VARIATION ADDS AN EXTRA LAYER OF UTILITY AND VERSATILITY. KING SERIES PLUS BULL BAR DESIGNED TO MEET THE DEMANDS OF THE MOST ADVENTUROUS OFF-ROAD ENTHUSIASTS. THE TRIP LOOP NOT ONLY ENHANCES THE APPEARANCE OF YOUR VEHICLE BUT ALSO SERVES AS A CONVENIENT ATTACHMENT POINT FOR OFF-ACCESSORIES SUCH AS ANTENNA, FLAG, POLE, AND LIGHT



■ AVAILABLE FOR LC200 (10-15) / LC200 (16-21)



AM111-S-L210 / AM111-A-L210

ATLAS SERIES BULL BAR

INTRODUCING OUR GROUNDBREAKING NEWEST OFF-ROAD BULL BAR, REDEFINING THE CONCEPT OF FUNCTIONALITY AND DESIGN IN ONE REMARKABLE PACKAGE. WITH ITS UNIQUE DESIGN FEATURING INTEGRATED DAYTIME RUNNING LIGHTS AND SEQUENTIAL INDICATORS, THIS BUMPER NOT ONLY OFFERS EXCEPTIONAL PERFORMANCE BUT ALSO ADDS A TOUCH OF ELEGANCE TO YOUR OFF-ROAD VEHICLE.



AVAILABLE FOR LC200 (10-15) / LC200 (16-21)
AVAILABLE IN BOTH STEEL AND ALUMINUM





HR157-L2

ALPHA ROOF RACK

ALPHA ROOF RACK PROVIDES ADDITIONAL STORAGE SPACE ON TOP OF YOUR VEHICLE ALL OWING YOU TO TRANSPORT BULKY ITEMS SUCH AS LUGGAGE, SPORTS EQUIPMENT OR CAMPING GEAR WITHOUT SACRIFICING INTERIOR SPACE. THIS IS ESPECIALLY BENEFICIAL FOR FAMILY ROAD TRIPS OR WHEN TRAVELING WITH A FULL PASSENGER LOAD. BY UTILIZING THE ROOF RACK YOU CAN FREE UP VALUABLE SPACE INSIDE THE VEHICLE FOR PASSENGERS TO RIDE COMFORTABLY.



OFF-ROAD ENTHUSIASTS CAN MAXIMIZE THE CAPABILITIES OF THEIR VEHICLE BY UTILIZING A ROOF RACK FOR ADDITIONAL CARGO STORAGE. WHEN VENTURING INTO REMOTE OR RUGGED TERRAINS, IT'S ESSENTIAL TO CARRY ESSENTIAL EQUIPMENT SUCH AS RECOVERY GEAR, JERRY CANS, CAMPING SUPPLIES. A ROOF RACK PROVIDES A SECURE AND CONVENIENT SOLUTION FOR TRANSPORTING THESE ITEMS ENSURING YOU'RE FULLY PREPARED FOR OFF-ROAD ADVENTURES



■ AVAILABLE FOR LC200 (10-15) / LC200 (16-21)



H001-L2
UNDER VEHICLE
 PROTECTION PLATES



ENGINE RANGE PROTECTION

TRANSMISSION RANGE PROTECTION

DRIVE SHAFT PROTECTION

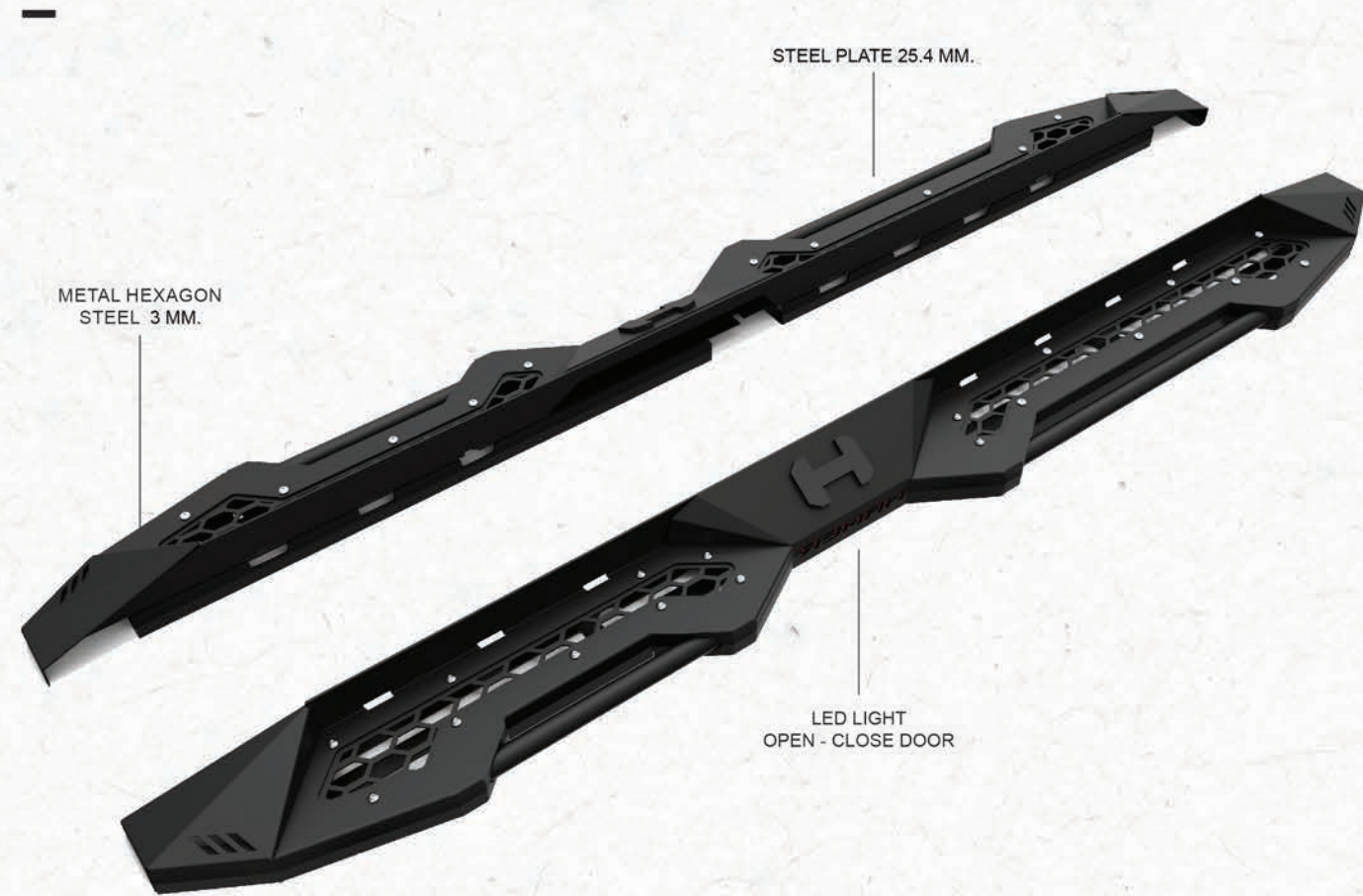
66
 THE PROTECTIVE BASH PLATE IS UNIQUELY DESIGNED WITH 6MM THICKNESS TO PROTECT YOUR VEHICLE WITH CONFIDENCE.
 55

■ AVAILABLE FOR LC200 (10-15) / LC200 (16-21)

SM105-L2

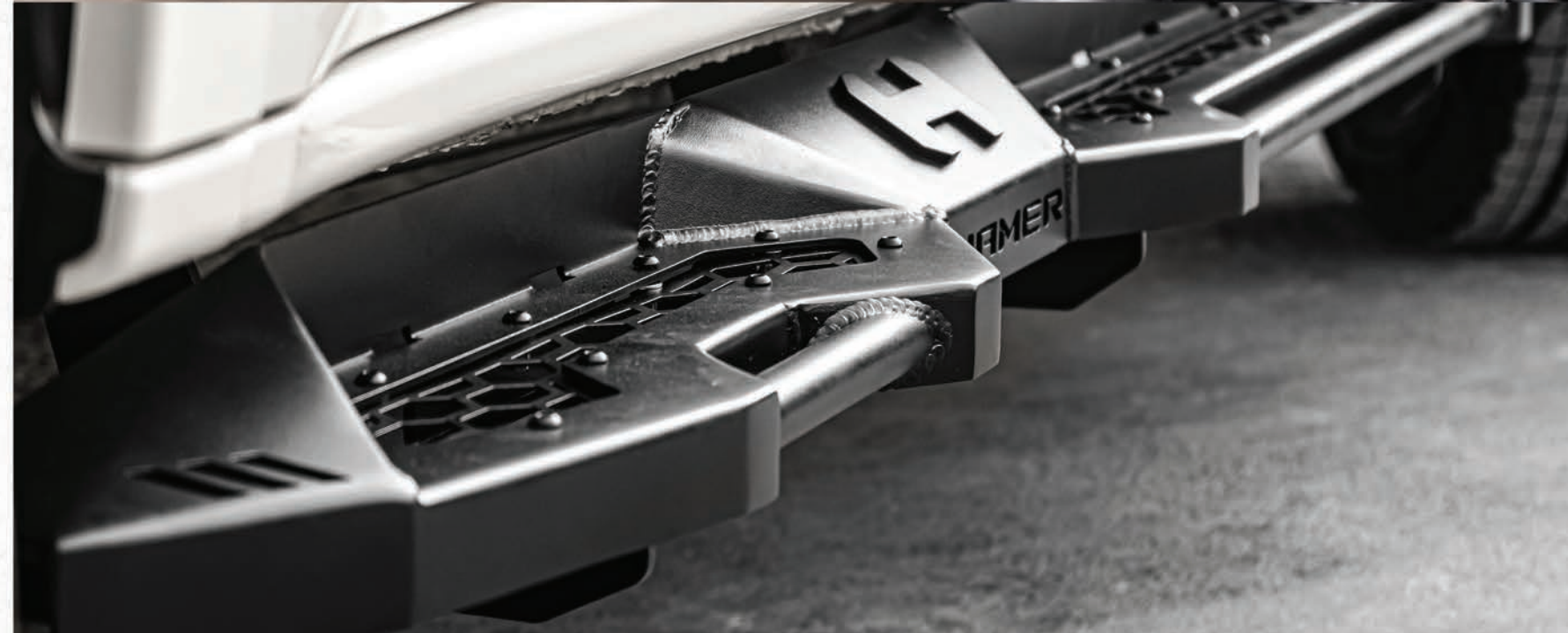
SHADOW SIDE STEPS

HAMER SIDE STEPS ARE DESIGNED TO PROVIDE EASY ACCESS TO A LIFTED OFF-ROAD VEHICLE WHILE OFFERING PROTECTION TO THE VEHICLE'S SIDES AND UNDERCARRIAGE.



- CONSTRUCTED FROM 3 MM. STEEL PLATE
- BODY MOUNTING BRACKETS
- MATTE BLACK POWDER COATED FINISH
- LED ILLUMINATION LIGHTS INCORPORATED

■ AVAILABLE FOR LC200 (10-15) / LC200 (16-21)





LAND CRUISER 300 SERIES

4X4 ACCESSORIES

INTRODUCING OUR PREMIER OFF-ROAD ACCESSORIES RANGE FOR THE ICONIC TOYOTA LAND CRUISER 300 SERIES. DESIGNED TO ENHANCE YOUR OFF-ROAD EXPERIENCE, OUR PRODUCT LINE EMBRACES BOTH EXTERIOR AND INTERIOR ACCESSORIES ELEVATING THE DESIGN, PRACTICALITY AND PERFORMANCE OF YOUR VEHICLE.



FRONT BULL BAR

INTRODUCING OUR LC300 BULL BAR SERIES : WHERE DESIGN MEETS FUNCTIONALITY AND OFF-ROAD PERFORMANCE. DESIGNED AND ENGINEERED TO MEET ADR STANDARDS OUR BULL BARS ARE CRAFTED TO FIT YOUR LC300 PERFECTLY.



AM106-L322

KING SERIES
BULL BAR



AM106-PT-L322

KING SERIES PLUS
BULL BAR

GUARDIAN SERIES BULL BAR

AM112-S-L322 AM112-A-L322

AVAILABLE IN BOTH STEEL AND ALUMINIUM



WITH A SEAMLESS BLEND OF FUNCTION AND STYLE, OUR BULL BARS ARE BUILT TO ELEVATE YOUR OFF-ROAD EXPERIENCE. EQUIPPED WITH UNIVERSAL LIGHTING CAPABILITY, WINCH COMPATIBILITY, AND CHASSIS MOUNTED RECOVERY POINTS, OUR BULL BARS ENSURE YOU'RE PREPARED TO CONQUER ANY TERRAIN.

NUDGE BAR

A STYLISH AND PRACTICAL SOLUTION FOR ENHANCING YOUR VEHICLE'S LOOK AND PROTECTION. DESIGNED SPECIFICALLY FOR THOSE WHO WANT TO UPGRADE THEIR LC300 WITHOUT REMOVING THE ORIGINAL BUMPER.



AM103-L322

TYPHOON NUDGE BAR

■ CRAFTED FROM HIGH-QUALITY STEEL, OUR NUDGE BAR OFFERS DURABILITY AND STRENGTH ENSURING OPTIMAL PERFORMANCE AND PEACE OF MIND ON THE ROAD. WITH MINIMAL MODIFICATIONS REQUIRED, OUR NUDGE BAR OFFERS A SIMPLE YET EFFECTIVE WAY TO IMPROVE YOUR CAR'S APPEARANCE.



AM110-L322

PHANTOM NUDGE BAR

MX209-L322

HAMER REAR BAR

INTRODUCING OUR OFF-ROAD REAR BUMPER WHERE DESIGN MEETS ADVENTURE. CRAFTED WITH OFF-ROAD ENTHUSIASTS IN MIND, THIS BUMPER IS BUILT TO CONQUER ANY TERRAIN WHILE ENHANCING YOUR OFF-ROAD JOURNEY.



MX209-E-L322



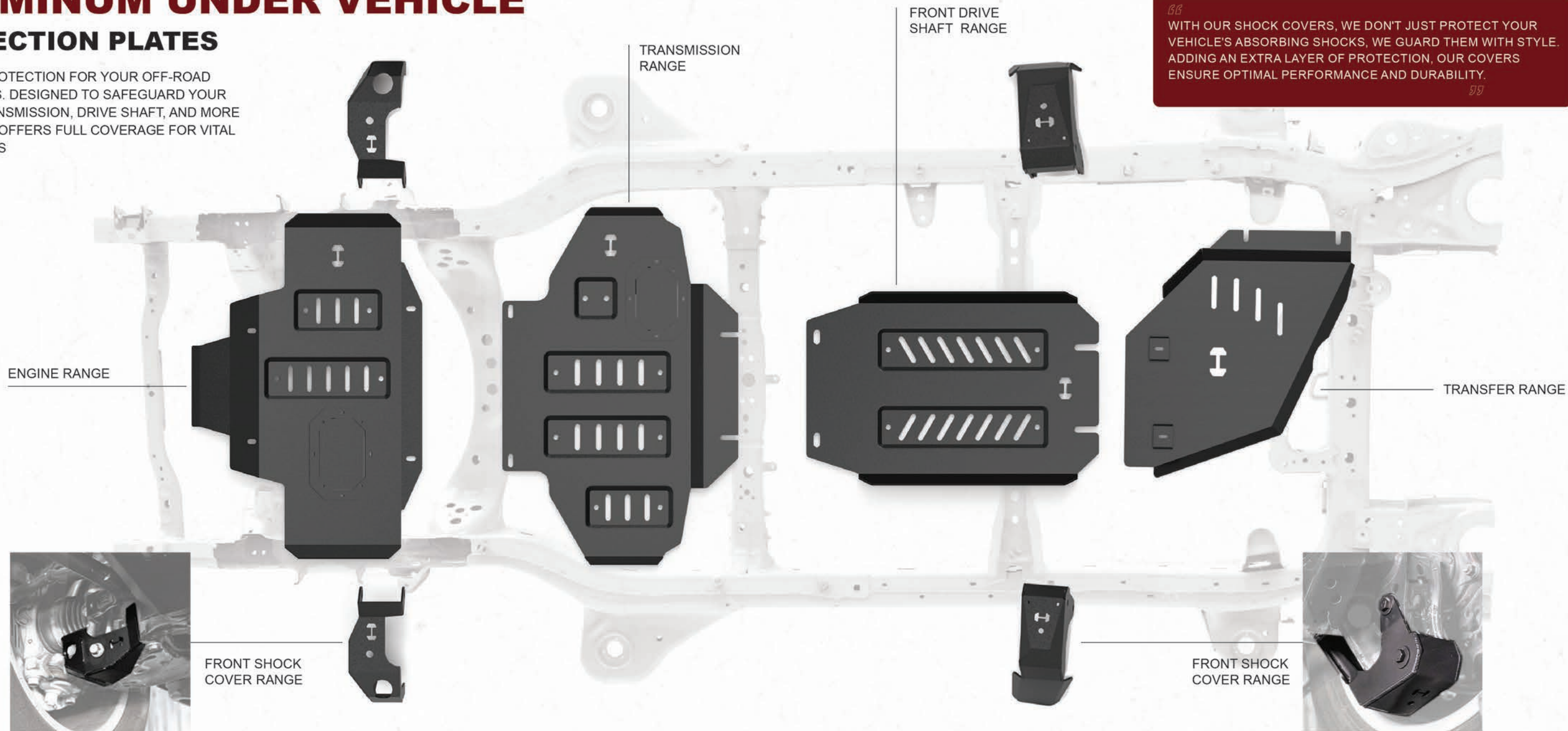
WITH OUR ADDED EXTENSIONS THAT ARE DESIGNED TO DELIVER PERFORMANCE AND FUNCTIONALITY LIKE NEVER BEFORE

H001-A-L322

ALUMINUM UNDER VEHICLE PROTECTION PLATES

MAXIMUM PROTECTION FOR YOUR OFF-ROAD ADVENTURES. DESIGNED TO SAFEGUARD YOUR ENGINE, TRANSMISSION, DRIVE SHAFT, AND MORE OUR PLATES OFFERS FULL COVERAGE FOR VITAL COMPONENTS

WITH OUR SHOCK COVERS, WE DON'T JUST PROTECT YOUR VEHICLE'S ABSORBING SHOCKS, WE GUARD THEM WITH STYLE. ADDING AN EXTRA LAYER OF PROTECTION, OUR COVERS ENSURE OPTIMAL PERFORMANCE AND DURABILITY.



ENGINE RANGE

TRANSMISSION RANGE

FRONT DRIVE SHAFT RANGE

TRANSFER RANGE

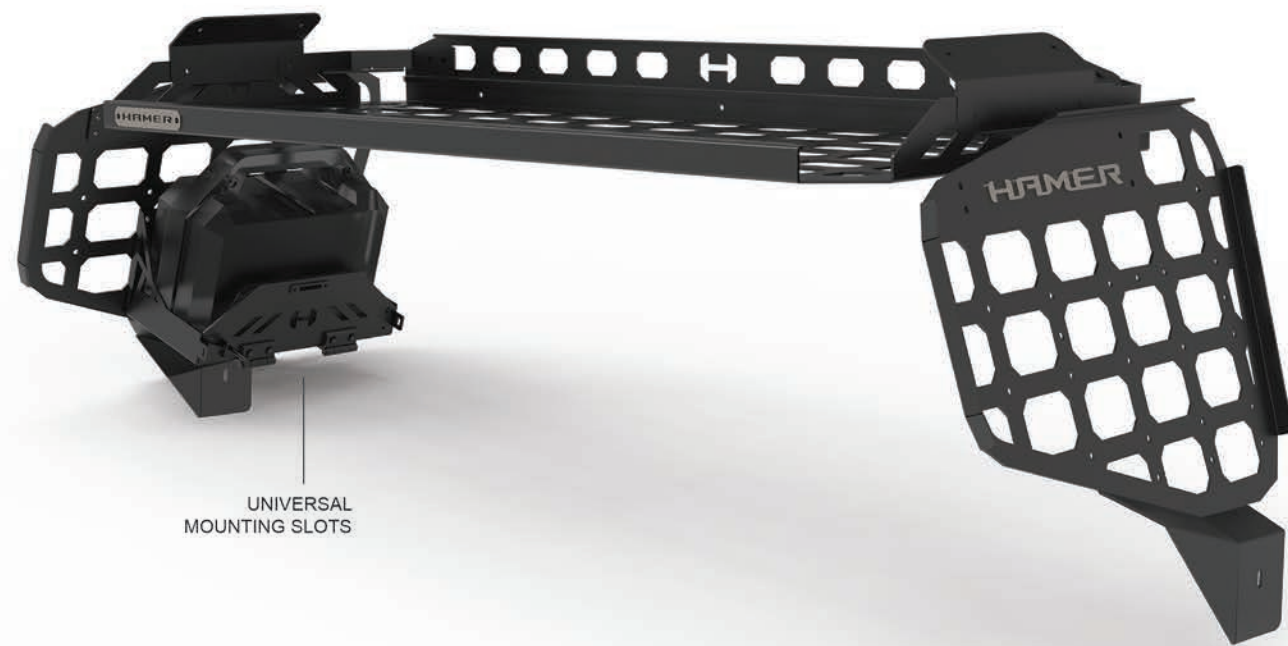
FRONT SHOCK COVER RANGE

FRONT SHOCK COVER RANGE

HA322-L322

HAMER SIDE MOLLE PANELS AND ROOF SHELF

DESIGNED TO OPTIMIZE STORAGE AND CREATE A HIGHLY FUNCTIONAL SPACE WITHIN YOUR LC300.



UNIVERSAL MOUNTING SLOTS

BY UTILIZING THE MOLLE (MODULAR LIGHTWEIGHT LOAD-CARRYING EQUIPMENT) SYSTEM, OUR PANELS OFFER VERSATILITY AND FLEXIBILITY. SIMPLY ATTACH YOUR POUCHES, HOLDERS, AND ACCESSORIES TO CREATE A TAILORED STORAGE SOLUTION THAT KEEPS EVERYTHING WITHIN REACH.

■ SIDE MOLLE PANELS ARE AVAILABLE AS A SEPARATE UNIT



GET ORGANISED WITHOUT BLOCKING THE VISIBILITY OF THE REAR WINDOW



■ TOYOTA OEM AIR COMPRESSOR STORAGE



■ UNIVERSAL MOUNTING SUITABLE FOR MOST ACCESSORIES

HR161-L322

HAMER FLAT RACK

EXPAND CAPACITY. ENHANCE VERSATILITY.
EMBRACE ADVENTURE.

- LOW PROFILE AND LIGHT WEIGHT DESIGN
- MADE FROM HIGH QUALITY EXTRUDED ALUMINIUM
- PROVIDE PERSONALISATION AND FLEXIBILITY FOR YOUR EXTRA STORAGE
- MOUNTING CHANNELS ARE AVAILABLE ON BOTH BEAMS AND SIDE RAILS
- WIND DEFLECTOR ARE INCLUDED

WIND DEFLECTORS



SUPPORT
LED LIGHT BAR

HIGH QUALITY
3 MM. ALUMINIUM

MAXIMUM LOAD
60 KG.

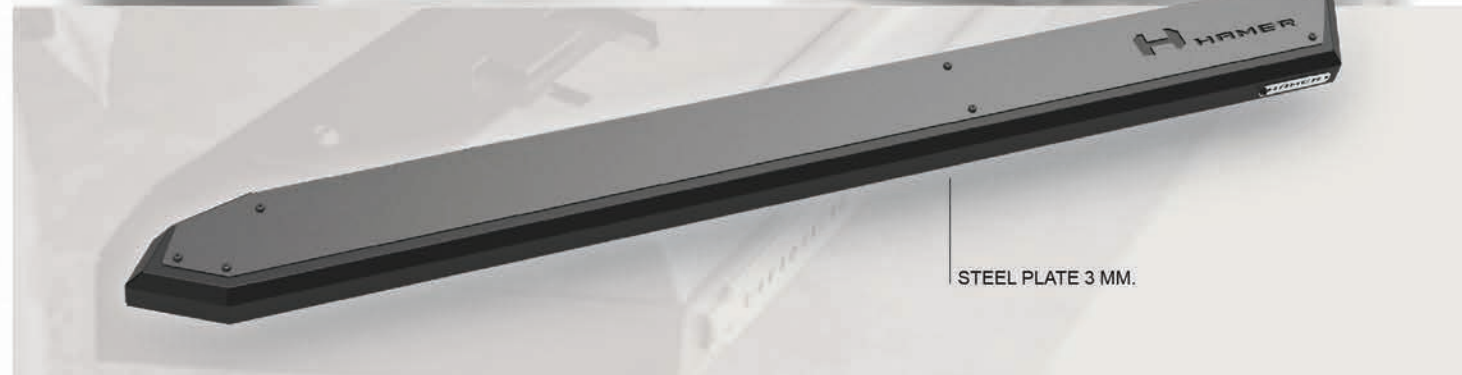


CHALLENGER ROCK SLIDER ^{SM108-L322}

FOR THE ULTIMATE PROTECTION



STEEL BRACKET MOUNT DIRECTLY TO CHASSIS



STEEL PLATE 3 MM.

HAMER SIDE STEPS ^{SM103-L322}

STEP UP YOUR ADVENTURES WITH STYLE AND FUNCTIONALITY.



3 MM. ANTI SLIP CHEQUER PLATE

STEEL PIPE 50.8 MM.

SIDE RAIL ^{HA325-L322}



STEEL PIPE 50.8 MM.

■ PROVIDE ADDITIONAL PROTECTION AGAINST ROCKS, BRUSH, AND OTHER OBSTACLES ENCOUNTERED DURING OFF-ROAD EXPLORATIONS.

■ MADE FROM HIGH-QUALITY MATERIALS THEY ARE BUILT TO ENDURE THE TOUGHEST CONDITION

LAND CRUISER PRADO 150

2010-2013 / 2014-2017 / 2018+

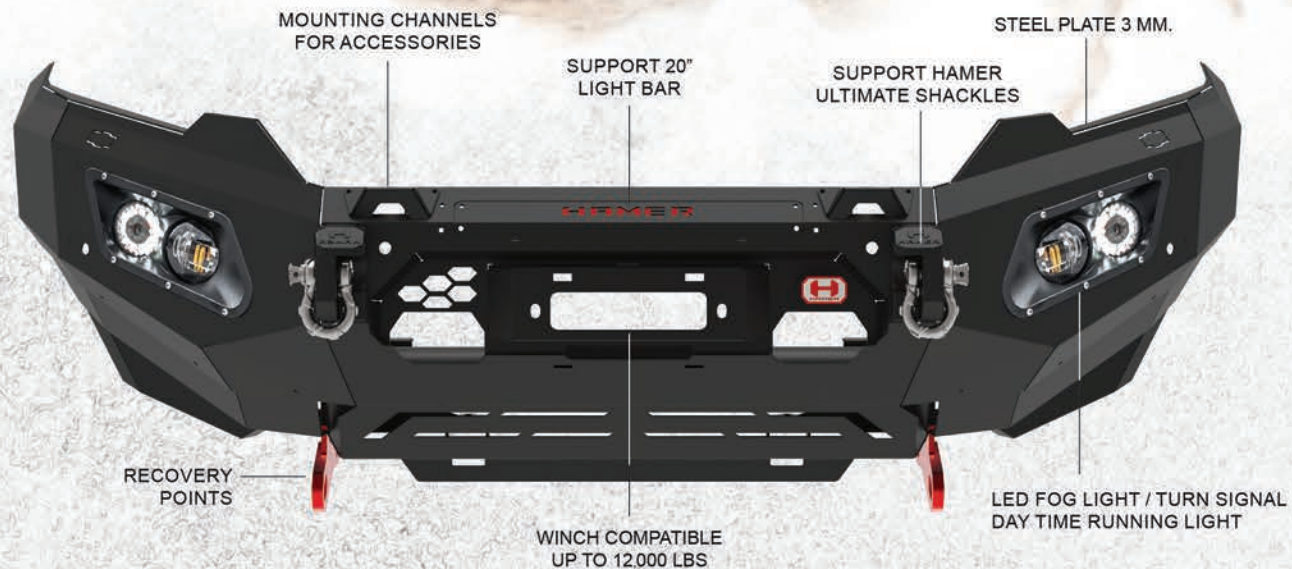
4X4 ACCESSORIES



AM106-PD18

KING SERIES BULL BAR

—
**ICONIC
STYLISH
ADVENTURE**



AM106-PT-PD18

KING SERIES PLUS BULL BAR

—
**PROTECTIVE
VERSATILE
RUGGED**



AM106-PD18

KING SERIES BULL BAR

AVAILABLE FOR LAND CRUISER PRADO 150(18+)



AVAILABLE FOR LAND CRUISER PRADO 150(14-17)



AVAILABLE FOR LAND CRUISER PRADO 150(10-13)

AM106-PT-PD18

KING SERIES PLUS BULL BAR

AVAILABLE FOR LAND CRUISER PRADO 150(18+)



AVAILABLE FOR LAND CRUISER PRADO 150(14-17)



AVAILABLE FOR LAND CRUISER PRADO 150(10-13)

HR161-PD

HAMER FLAT RACK

EXPAND CAPACITY. ENHANCE VERSATILITY.
EMBRACE ADVENTURE.



■ AVAILABLE FOR LAND CRUISER PRADO 150 (10-13/14-17/18+)

■ SUPPORT LED LIGHT BAR UP TO 30" AND 40"



- LOW PROFILE AND LIGHT WEIGHT DESIGN
- MADE FROM HIGH QUALITY EXTRUDED ALUMINIUM
- PROVIDE PERSONALISATION AND FLEXIBILITY FOR YOUR EXTRA STORAGE
- MOUNTING CHANNELS ARE AVAILABLE ON BOTH BEAMS AND SIDE RAILS
- WIND DEFLECTOR ARE INCLUDED

SM105-PD

SHADOW SIDE STEPS

HAMER SIDE STEPS ARE DESIGNED TO PROVIDE EASY ACCESS TO A LIFTED OFF-ROAD VEHICLE WHILE OFFERING PROTECTION TO THE VEHICLE'S SIDES AND UNDERCARRIAGE.



- CONSTRUCTED FROM 3 MM. STEEL PLATE
- BODY MOUNTING BRACKETS
- MATTE BLACK POWDER COATED FINISH
- LED ILLUMINATION LIGHTS INCORPORATED

■ AVAILABLE FOR LAND CRUISER PRADO 150 (10-13/14-17/18+)

SM103-PD

HA325-PD

HAMER SIDE STEP / SIDE RAIL

STEP UP YOUR ADVENTURES WITH STYLE AND FUNCTIONALITY.



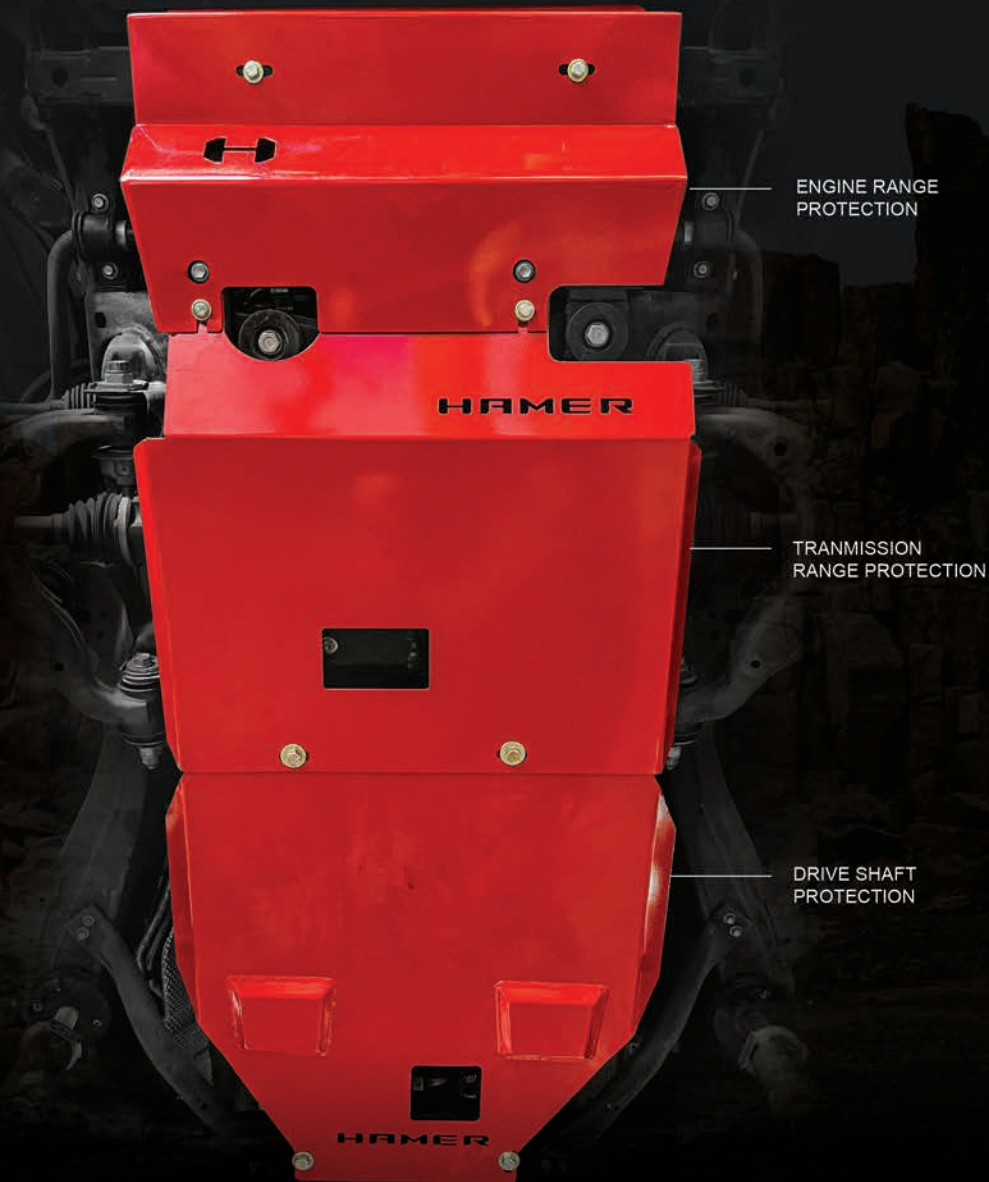
■ AVAILABLE FOR LAND CRUISER PRADO 150 (10-13/14-17/18+)

H001-PD18

UNDER VEHICLE PROTECTION PLATES



THE PROTECTIVE BASH PLATE IS UNIQUELY DESIGNED WITH 6MM THICKNESS TO PROTECT YOUR VEHICLE WITH CONFIDENCE.



AVAILABLE FOR LAND CRUISER PRADO 150(18+)



HAMER

HEART OF STEEL



HAMER 4X4 ACCESSORIES

WWW.HAMER4X4.COM.AU